

LED MINI WALL PACK • 17W/25W

INSTALL INSTRUCTIONS



PLEASE FIND A QUALIFIED ELECTRICIAN FOR INSTALLATION. Please read the instructions before you install and use the luminaire.

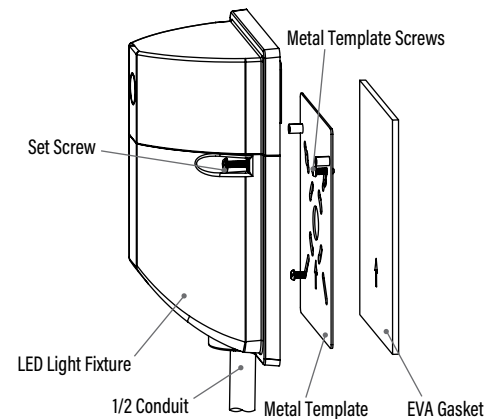
- To avoid electric shock, disconnect power at source prior to installation.
- The installation should be performed by qualified electricians or lighting technicians.
- Before conducting any installation, maintenance, or removal, disable all power to the luminaires and wait until the fixture cool down.
- Do not touch the fixture while it is in service.
- If there is any problem with the fixture, DO turn off power and DO NOT attempt repair unless you are a qualified technician or the customer service member.
- Please read the label information carefully to get proper input voltage for this product.
- This luminaire is designed to operate in ambient temperatures ranging from -40° ~ 40°C (-40° ~ 104°F).
- Suitable for wet locations.
- This product is not available for special environments such as places with corrosive gases or high pressure water vapor.

FOR ITEMS: 83355, 83357 (Photocell not included)
83354, 83356 (Photocell included)

! WARNING DISCONNECT POWER BEFORE INSTALLING OR SERVICING.

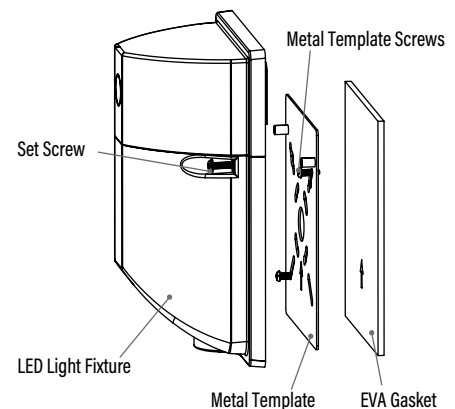
1. MOUNTING WITH A 1/2" CONDUIT AT THE BOTTOM

1. Loosen two sets of screws and remove the metal template.
2. Install EVA gasket on the back of the metal template. (Note the direction of the arrow).
3. Pull house supply wires through the hole in the housing back and secure to J-Box with two mounting screws.
4. Thread the 1/2" conduit into the 1/2" hole.
5. Connect Black for Line, White for Neutral and bare wire for Ground to complete the wiring.
6. Secure the fixture on the metal template with set screws.



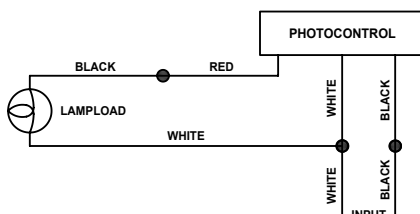
2. MOUNTING WITH J-BOX

1. Loosen two sets of screws and remove the metal template.
2. Install EVA gasket on the back of the metal template. (Note the direction of the arrow).
3. Pull house supply wires through the hole in the housing back and secure to J-Box with two mounting screws.
4. Connect Black for Line, White for Neutral, and bare wire for Ground to complete the wiring.
5. Secure the fixture on the metal template with set screws.



PHOTOCELL INSTALLATION (For 83354 and 83356 only.)

1. Install photocell and wires as per diagram.
2. Use photocell rated for your supply voltage.



TROUBLESHOOTING

1. Check that the line voltage at the fixture is correct. Refer to wiring direction.
2. Is the fixture grounded properly?
3. Be sure the photocell, if used, is functioning properly.