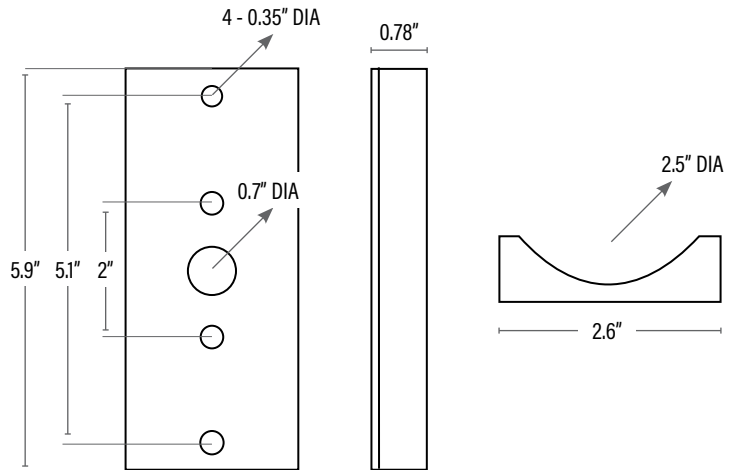




# 83610

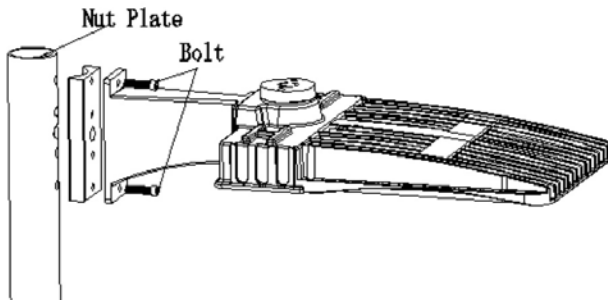
## ADAPTER FROM ROUND TO FLAT POLE



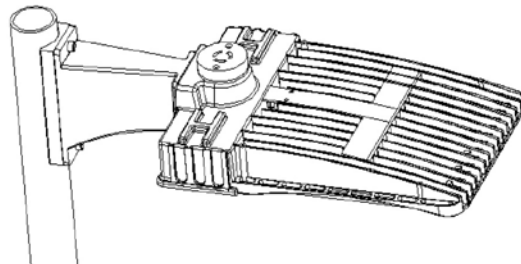
### ORDERING

ITEM#	DESCRIPTION	CASE
83610	ADAPTER FROM ROUND TO FLAT POLE/BRONZE - SUPERIOR LIFE®	1

### INSTALL



1. Drill holes on the round pole corresponding to the holes on the arm, and use the bolt and nut plate to fix the fixture to the pole tightly.



2. Connect the AC wire of the fixture and tighten the water-proof gasket and cover plate on the arm by screws, then power on.