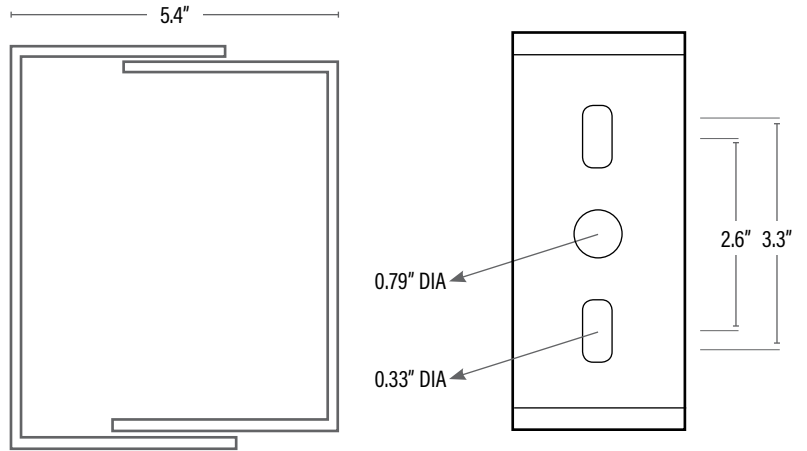




83611

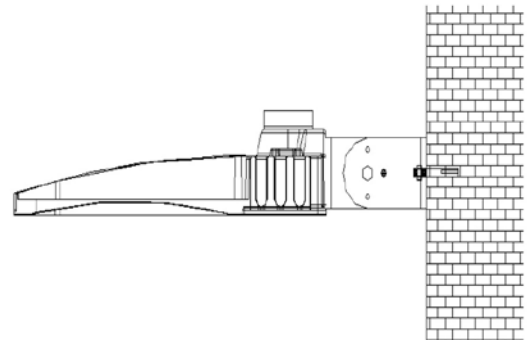
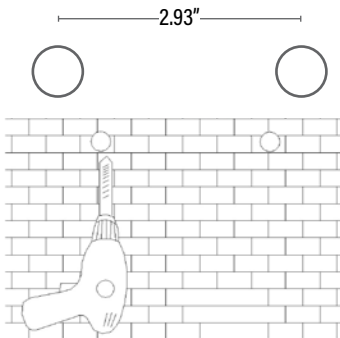
TRUNNION U MOUNT BRACKET



ORDERING

ITEM#	DESCRIPTION	CASE
83611	TRUNNION U MOUNT BRACKET FOR STEALTH™/BRONZE- SUPERIOR LIFE®	1

INSTALL



1. Drill 2 holes in the wall to match the mounting holes on the trunnion bracket. Use expansion screws/anchors to properly secure it to the wall.

2. After securing bracket to the wall angle can be adjusted by the small screw on the side (make sure to tighten screws after desired angle has been set), then connect the AC wire.