



PREMIUM QUALITY LIGHTING

83639

WITH DIMMING & OCCUPANCY SENSOR
INSTALL INSTRUCTIONS



WARNING

PLEASE FIND A QUALIFIED ELECTRICIAN FOR INSTALLATION. Please read the instructions before you install and use the luminaire.

WARNING, CAUTIONS AND OPERATING INSTRUCTIONS

- To reduce the risk of death, personal injury or property damage from fire, electric shock, falling parts, cuts/abrasions, and other hazards read all warnings and instructions included with and on the fixture box and all fixture labels.
- Before installing, servicing, or performing routine maintenance upon this equipment, follow these general precautions.
- Commercial installation, service and maintenance of luminaires should be performed by a qualified licensed electrician.
- For The installation: If you are unsure about the installation or maintenance of the luminaires, consult a qualified licensed electrician and check your local electrical code.
- To prevent wiring damage or abrasion, do not expose wiring to edges of sheet metal or other sharp objects.
- Do not make or alter any open holes in an enclosure of wiring or electrical components during kit installation.
- Do not cover any part of the fixture; this can cause overheating.
- Do not use in areas that are not properly ventilated from strong fumes.

WARNING: RISK OF FIRE OR ELECTRICAL SHOCK

- Turn off electrical power at fuse or circuit breaker box before wiring fixture to the power supply.
- Turn off the power when you perform any maintenance.
- Verify that supply voltage is correct by comparing it with the luminaire label information.
- Make all electrical and grounded connections in accordance with the National Electrical Code and any applicable local code requirements.
- All wiring connections should be capped with UL approved wire connectors.

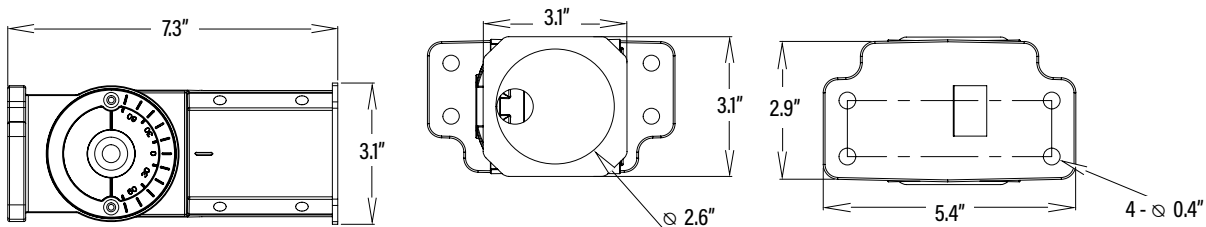
CAUTION: RISK OF INJURY

- Avoid direct eye exposure to the light source while it is on.
- Account for small parts and destroy packing material, as these may be hazardous to children.
- Suitable for Wet locations, IP65.

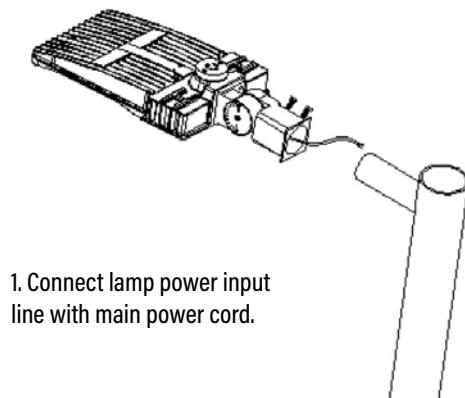
INSTALLATION



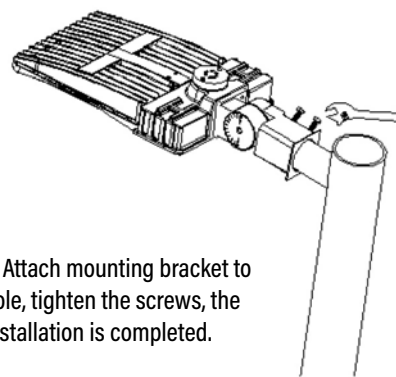
SLIP FITTER DIMENSIONS



SLIP FITTER MOUNTING



1. Connect lamp power input line with main power cord.



2. Attach mounting bracket to pole, tighten the screws, the installation is completed.



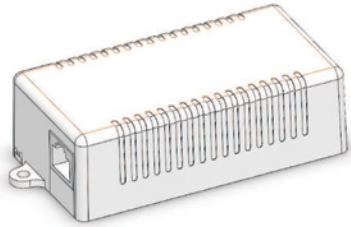
PREMIUM QUALITY LIGHTING

83639

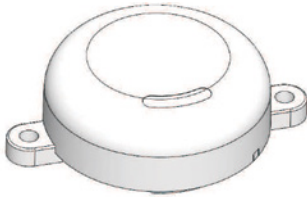
WITH DIMMING & OCCUPANCY SENSOR
INSTALL INSTRUCTIONS



DIMMING AND SENSOR



SENSOR POWER



SENSOR HEAD



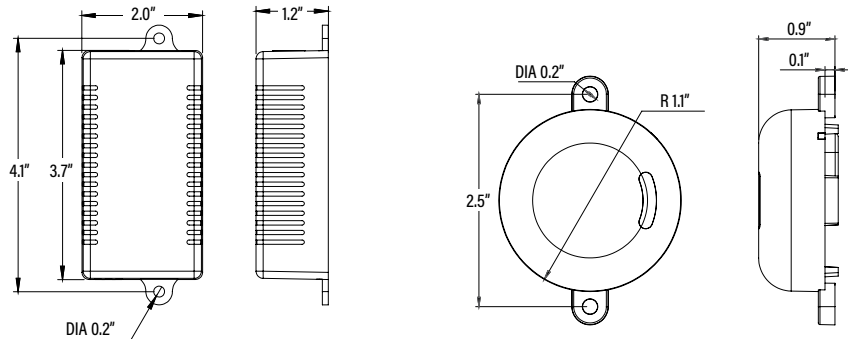
RC-100

Power supply	100-347VAC, Single Phase, 50/60Hz 208/230/480VAC, Phase-to-Phase, 50/60Hz
Maximum Load @ -40°C ~ 55°C (-40°F ~ 131°F)	@120V 0-800W Tungsten, Ballast, LED Driver @120-277V 1/6 Hp Motor @230-240V 0-300W Ballast, LED Driver @277V 0-1200W Ballast, LED Driver @347V 0-1200W Ballast, LED Driver @480V 0-1200W Ballast, LED Driver
HF System	5.8Hz CW
Dim Control Output	0-10 VDC Dimming, 50mA
Detection Radius/Angle	Max 26.2ft. (8m) 360°
Mounting Height	Max 50ft. (15m)
Remote Range	33ft. (10m) Indoor, No Backlight
Time Setting	10sec. - 30min. (Adjustable)
Light Control	10-2000Lux (Adjustable)
Humidity	Max. 95% RH
Temperature	-40°C ~ 70°C (-40 ~ 158°F)

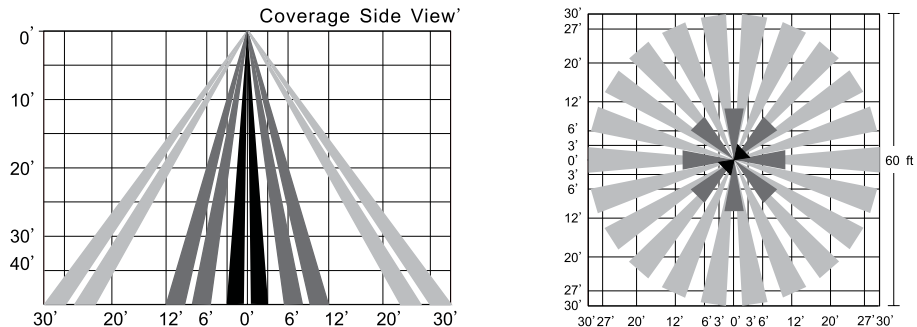
SENSOR'S LED:

1. It will light after switch is powered on, and turn off after the unit enters its working state.
2. It will flash once when the unit receives a sensing signal.

DIMENSIONS



SENSOR INFORMATION





PREMIUM QUALITY LIGHTING

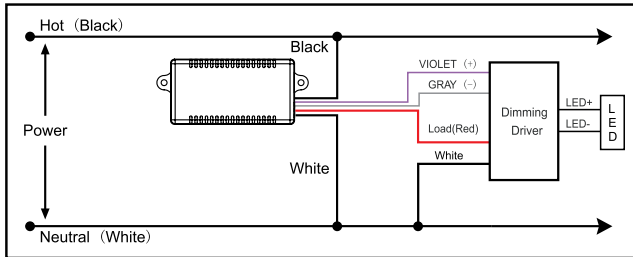
83639

WITH DIMMING & OCCUPANCY SENSOR
INSTALL INSTRUCTIONS

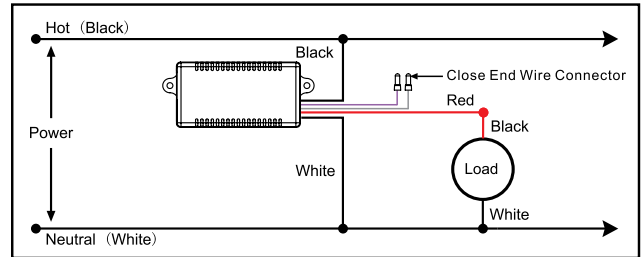


DIMMING AND SENSOR

WIRING DIAGRAM (Dimming Driver)



WIRING DIAGRAM (Non-Dimming Driver)



FUNCTION AND OPTIONS

- 4 Levels of Light Control: dimming light (0, 10%, 20%, 30%) - 100% - dimming light (0, 10%, 20%, 30%) - off periods of selectable waiting time: motion hold time and 24 hours, selectable daylight threshold and freedom of detection area.

If the natural light is lower than the light control setting (10Lux, 30Lux, 50Lux), the light will not automatically turn on (0, 10%, 20%, 30%). When a person enters the room, the light will turn on to 100%, after the person exits the room the light will dim after hold time.



With sufficient natural light, the light does not switch on when motion is detected.



With insufficient natural light, the sensor switches the light on when motion is detected.



When no motion is detected light will dim to standby level after hold time.



Light switched off automatically after the dimming time elapsed.

OPERATION SETTINGS BY REMOTE CONTROL

		Permanent on or permanent off mode		DISPLAY Current Settings
		The selected parameters go to SEND		Back to previous settings before on/off model
				In test mode, hold time is only 2s, and stand-by time and daylight sensor are disable.
		Enter in Adjustable Control Parameters condition and navigate for UP and DOWN		Confirm settings
		Navigate for Right and Left		Photocell On/Off, when the light level exceeds this setting, the lights will turn off even when the space is occupied. When light level goes below the settings, the light will turn on even without motion detection. This feature is disabled by default.
		The latest surrounding lux value overites pervious lux value learned.		
		To Save these New Settings parameters as Model 1 Model 2 Model 3		