



Item#: **83722**
LED SPEC-SELECT™ DUSK TO DAWN
 OUTDOOR POLE/ARM-MOUNTED AREA AND
 ROADWAY LUMINAIRES

FEATURES

Spec-Select™ Dusk to Dawn feature adjustable wattage and color temperature for the perfect balance of light in any application.

- Corrosion resistant; cold forged aluminum housing.
- Built-in photocell
- Mounts directly to wall or with mounting arm (*Not included, sold separately*).

APPLICATION

Ideal for general area lighting, entry ways, pathways, loading docks, farmyards and building security.

ELECTRICAL

Wattage	35W / 50W / 65W
Voltage	120-277V
Current	0.65A
Power Factor	0.9
Total Harmonic Distortion (THD)	15

LIGHTING PERFORMANCE

Lumens	4375-8125
Lumens Per Watt (Lm/W)	125
Color Temperature (CCT)	3000K / 4000K / 5000K
Color Rendering (CRI)	70
R9 (Red Value)	--
R13 (Skin Tones)	71 / 74 / 71
Beam Angle	140°
Light Distribution	Type VS
BUG Rating (Backlight, Uplight, and Glare)	B2 - U2 - G1
Dimmable Lighting Control	<i>Dimmable</i> 0-10V, Range 10% - 100%

ENVIRONMENT

Operating Temperature	-4° ~ 113°F
Suitable Location	WET
Ingress Protection Rating	IP66

LIFESPAN

Average Life (Hours)	50,000
Warranty (Years)	5

COMPONENTS

LED Light Source	SMD 2835
Driver (Non-Replaceable)	Internal

CONSTRUCTION

Housing	Aluminum / PC Lens
Base / Power Supply	Hard Wired
Finish	Bronze

QUALIFICATIONS

Model Number	SSDTD-35/50/65W-30/40/50K-MV
--------------	------------------------------



Visit www.designlights.org/search to confirm qualification. • Published lumens on LED products are approximate and may vary slightly. • Specifications are subject to change without notice.

PERFORMANCE DATA

Item#: **83722**
LED SPEC-SELECT™ DUSK TO DAWN

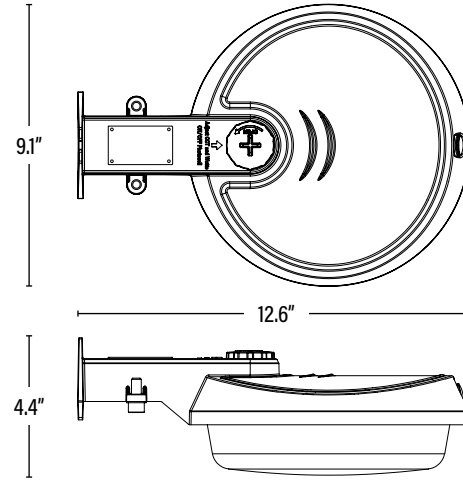


DIMENSIONS (Inches)

Length	12.6"
Width	9.1"
Height	4.4"
Net Weight (Lbs)	3.3

SUPPORTING DOCUMENTS (Grey = not available at this time.)

Product Sheet	VIEW
Install Instructions	VIEW
Photometrics	VIEW
IES Download from Web Item	VIEW
LM79	VIEW
LM80	VIEW



ITEM INFORMATION

PACKAGING

		UPC	DIMENSIONS (LxWxH)	GROSS WEIGHT (Lbs)
Master Carton	1	811768025651	14" x 10.6" x 5.3"	4.9
Country of Origin	China			
HS Tariff	--			

ORDERING Qualification Model # SSDTD-35/50/65W-30/40/50K-MV

ITEM#	DESCRIPTION	CASE
83722	LED SPEC-SELECT™ 35/50/65W DUSK TO DAWN LIGHT/PHOTO CELL - 30/40/50K/120-277V/DIMMABLE/BRZ - SL® DLC®	1

ACCESSORIES

83720	MOUNTING ARM ONLY FOR LED SPEC-SELECT™ DUSK TO DAWN LIGHT - SUPERIOR LIFE®	25
-------	--	----