

Item#: **83783**  
**LED SHOE BOX RETROFIT**  
RETROFIT KITS FOR OUTDOOR POLE/ARM  
MOUNTED AREA AND ROADWAY LUMINAIRES

**FEATURES**

- Reduce energy and maintenance costs up to 80% compared to traditional lamps, almost free of maintenance
- Intelligent thermal control.
- Light weight, durable.

**APPLICATION**

Replaces existing metal halide and HPS lamps in street light, wall packs, canopy and high bay fixtures.

**ELECTRICAL**

Wattage	52W
Voltage	100-277V
Current	2.5A
Power Factor	0.9
Total Harmonic Distortion (THD)	18.8

**LIGHTING PERFORMANCE**

Lumens	6728
Lumens Per Watt (LPW)	128
Color Temperature (CCT)	5000K
Color Rendering (CRI)	73
R9 (Red Value)	0
R13 (Skin Tones)	75
Beam Angle	120°
Light Distribution	Type VS
BUG Rating (Backlight, Uplight, and Glare)	B3 - U1 - G1

Dimmable Lighting Control



**ENVIRONMENT**

Operating Temperature	-40° ~ 113°F
Suitable Location	<b>DRY</b>
Ingress Protection Rating	IP20
Fixture Type	Enclosed

**LIFESPAN**

Average Life (Hours)	50,000
Warranty (Years)	<b>5</b>

**COMPONENTS**

LED Light Source	Nichia NF2L757GRT-V1
Driver	MeanWell LPF-60-30

**CONSTRUCTION**

Housing	Aluminum Heat-Sink
Base / Power Supply	Hard Wired
Finish	Silver

**QUALIFICATIONS**

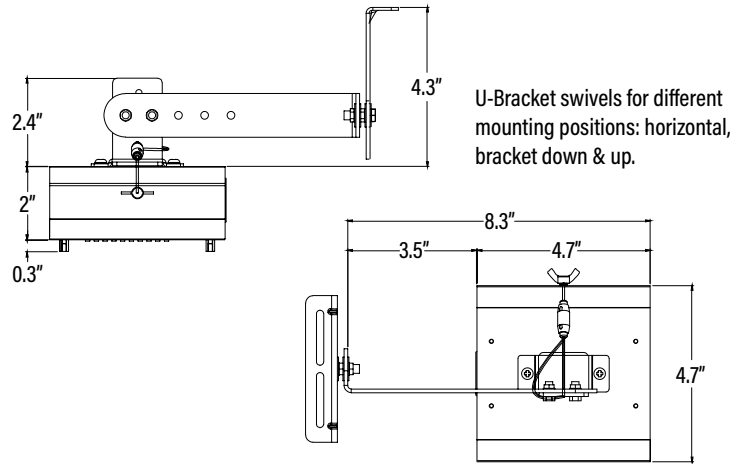


Published lumens on LED products are approximate and may vary slightly. - Specifications are subject to change without notice.

Item#: **83783**  
**LED SHOE BOX RETROFIT**

<b>DIMENSIONS</b> (Inches)	
Length	4.7"
Width	4.7"
Height	2.3"
Net Weight (Lbs)	--

<b>SUPPORTING DOCUMENTS</b> (Grey = not available at this time.)	
Product Sheet	VIEW
Install Instructions	VIEW
IES Download from Web Item	VIEW
LM79	VIEW
LM80	VIEW



<b>PACKAGING</b>		<b>UPC</b>	<b>DIMENSIONS</b> (LxWxH)	<b>GROSS WEIGHT</b> (Lbs)
Master Carton	6	10811768028888	18.5" x 13" x 11.8"	27.3
Individual Box	1	811768028881	--	4.6
Country of Origin	China			
HS Tariff	9405.10.6020			

<b>ORDERING</b>		
<b>ITEM#</b>	<b>DESCRIPTION</b>	<b>CASE</b>
83783	LED SHOE BOX RETROFIT/50W/50K/120°/100-277V - 5.0	6

<b>ACCESSORIES/REPLACEMENT PARTS</b>		
LPF-60-30	REPLACEMENT DRIVER	1