

Item#: **83833**  
**LED V5 SHOE BOX RETROFIT**  
 RETROFIT KITS FOR OUTDOOR POLE/ARM  
 MOUNTED AREA AND ROADWAY LUMINAIRES

**FEATURES**

- Reduce energy and maintenance costs up to 80% compared to traditional lamps, almost free of maintenance
- Intelligent thermal control.
- Light weight, durable.

**APPLICATION**

Replaces existing metal halide and HPS lamps in street light, wall packs, canopy and high bay fixtures.

PERFORMANCE DATA

**ELECTRICAL**

Wattage	186W
Voltage	100-277V
Current	8.33A
Power Factor	0.9
Total Harmonic Distortion (THD)	16

**LIGHTING PERFORMANCE**

Lumens	23578
Lumens Per Watt (Lm/W)	127
Color Temperature (CCT)	5000K
Color Rendering (CRI)	73
R9 (Red Value)	0
R13 (Skin Tones)	76
Beam Angle	120°
Light Distribution	Type VS
BUG Rating (Backlight, Uplight, and Glare)	B4 - U3 - G2

Dimmable Lighting Control



**ENVIRONMENT**

Operating Temperature	-40° ~ 113°F
Suitable Location	<b>DRY</b>
Ingress Protection Rating	IP20
Fixture Type	Enclosed

**LIFESPAN**

Average Life (Hours)	50,000
Warranty (Years)	<b>5</b>

**COMPONENTS**

LED Light Source	Nichia NF2L757DR
Driver	MeanWell HLG-240H-24A

**CONSTRUCTION**

Housing	Aluminum Heat-Sink
Base / Power Supply	Hard Wired
Finish	Silver

**QUALIFICATIONS**



Visit [www.designlights.org/search](http://www.designlights.org/search) to confirm qualification. • Published lumens on LED products are approximate and may vary slightly. • Specifications are subject to change without notice.

Item#: **83833**  
**LED V5 SHOE BOX RETROFIT**

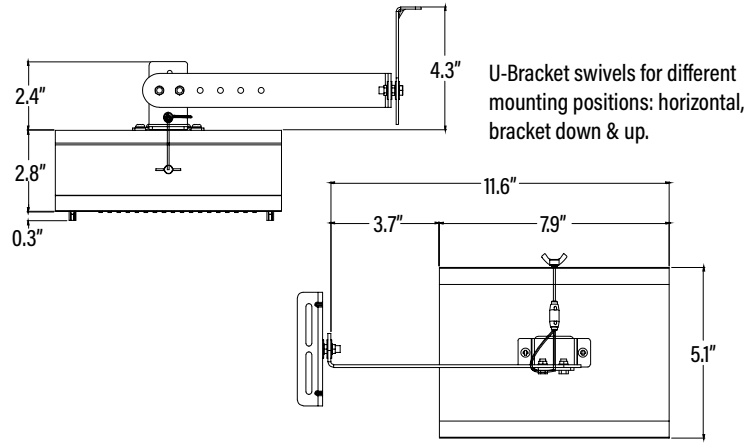


**DIMENSIONS** (Inches)

Length	7.9"
Width	5.9"
Height	3.1"
Net Weight (Lbs)	--

**SUPPORTING DOCUMENTS** (Grey = not available at this time.)

Product Sheet	VIEW
Install Instructions	VIEW
IES Download from Web Item	VIEW
LM79	VIEW
LM80	VIEW



**PACKAGING**

		UPC	DIMENSIONS (LxWxH)	GROSS WEIGHT (Lbs)
Master Carton	4	10811768029045	21.7" x 15.6" x 14.2"	51.5
Individual Box	1	811768029048	--	12.9
Country of Origin	China			
HS Tariff	9405.10.6020			

**ORDERING**

ITEM#	DESCRIPTION	CASE
83833	LED 186W SHOE BOX RETROFIT/120°/5000K/100-277V/V5 - SUPERIOR LIFE® DLC®	4

**REPLACEMENT PARTS**

HLG-240H-24A	REPLACEMENT DRIVER	1
--------------	--------------------	---

ITEM INFORMATION