



Item#: **83923**

LED SHOE BOX FIXTURE

OUTDOOR POLE/ARM-MOUNTED AREA AND ROADWAY LUMINAIRES

FEATURES

- Elegant and modern appearance
- Hollow heat sink design
- Fixture is lighter with excellent heat dissipation
- High quality Philips 3030

APPLICATION

Ideal for parking lots, street and building perimeter lighting.

ELECTRICAL

Wattage	51W
Voltage	100-277V
Current	0.7A
Power Factor	0.9
Total Harmonic Distortion (THD)	11.4

LIGHTING PERFORMANCE

Lumens	5378
Lumens Per Watt (LPW)	105
Color Temperature (CCT)	5000K
Color Rendering (CRI)	74
R9 (Red Value)	11
R13 (Skin Tones)	84
Beam Angle	100 x 140°
Light Distribution	Type III, Very Short
BUG Rating (Backlight, Uplight, and Glare)	B1 - U1 - G1

Dimmable Lighting Control



ENVIRONMENT

Operating Temperature	-40° ~ 122°F
Suitable Location	WET
Ingress Protection Rating	IP65

LIFESPAN

Average Life (Hours)	50,000
Warranty (Years)	5

COMPONENTS

LED Light Source	Philips 3030
Driver	SS-50H-40B

CONSTRUCTION

Housing	Aluminum
Base / Power Supply	Hard Wired
Finish	Bronze
Effective Projected Area (EPA)	0.814 ft ²

QUALIFICATIONS



Published lumens on LED products are approximate and may vary slightly. • Specifications are subject to change without notice.

Item#: **83923**
LED SHOE BOX FIXTURE



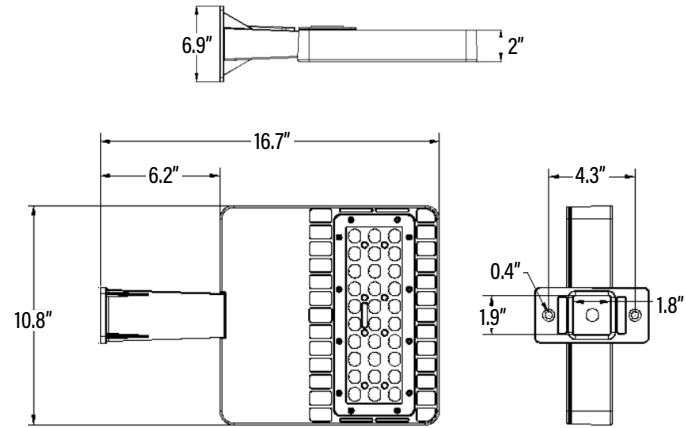
ITEM INFORMATION

DIMENSIONS (Inches)

Length	16.7"
Width	10.8"
Height	2"
Net Weight (Lbs)	9.3

SUPPORTING DOCUMENTS (Grey = not available at this time.)

Product Sheet	VIEW
Install Instructions	VIEW
IES Download from Web Item	VIEW
LM79	VIEW
LM80	VIEW



PACKAGING	UPC	DIMENSIONS (LxWxH)	GROSS WEIGHT (Lbs)	
Master Carton	1	811768026528	21.3" x 7.9" x 13.8"	10.8
Country of Origin	China			
HS Tariff	9405.10.6020			

ORDERING

ITEM#	DESCRIPTION	CASE
83923	LED SHOE BOX FIXTURE/51W/50K/100-277V/BRZ/POLE/WALL MOUNT - 5.0	1

ACCESSORIES

83534	LED SHOE BOX FIXTURE FITTING - ADJUSTABLE TRUNNION MOUNTING BRACKET/BRONZE	1
83530	LED SHOE BOX FIXTURE FITTING - ADJUSTABLE SLIP FITTER/BRONZE	1
83646	ADAPTER TO MOUNT A SLIP FITTER ON A FLAT POLE OR WALL/BRZ/	10

REPLACEMENT PARTS

SS-50H-40B	REPLACEMENT 50W DIMMABLE LED DRIVER	1
------------	-------------------------------------	---