



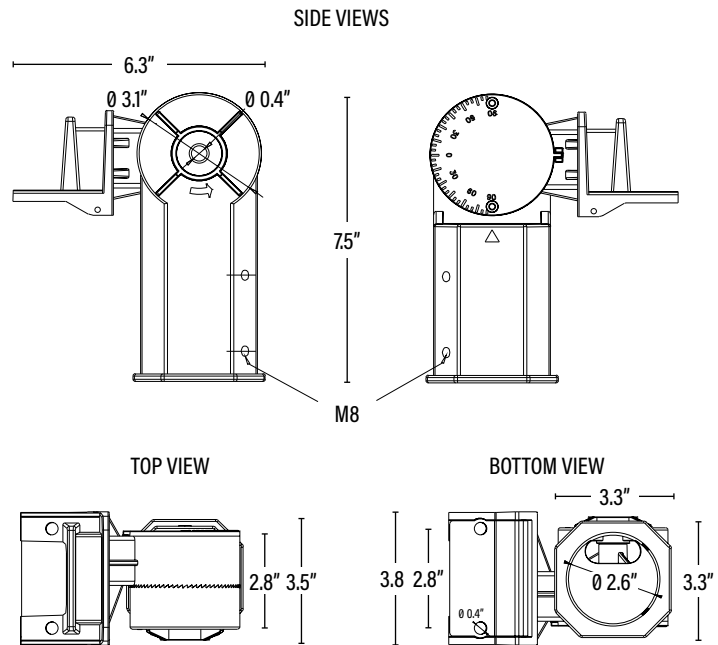
Item#: **83953**
LED STEALTH™ SLIP FITTER
QUICK-MOUNT BRACKET

APPLICATION

To mount Stealth™ fixtures on a pole.

DIMENSIONS (Inches)

Length	3.8"
Width	6.3"
Height	7.5"
Net Weight (Lbs)	3



ADJUSTABLE

PACKAGING

		UPC	DIMENSIONS (LxWxH)	GROSS WEIGHT (Lbs)
Master Carton	10	10811768029335	19.3" x 9.5" x 9.5"	32.3
Individual Box	1	811768029338		3.2
Country of Origin	China			
HS Tariff	9405.99.4090			

ORDERING

ITEM#	DESCRIPTION	CASE
83953	SLIP FITTER FOR STEALTH™/WHT	10