



Item#: **84142**
LED FLOOD LIGHT
ARCHITECTURAL FLOOD AND SPOT
LUMINAIRES

FEATURES

- Corrosion resistant die cast housing, with a powder paint coat finish.
- Compact design that separates the LED module from the heat sink to ensure efficient cooling.
- Fixture angle can be easily adjusted.

APPLICATION

Ideal for wall washing, landscaping lighting, outdoor advertising and parking lots.

ELECTRICAL

Wattage	200W
Voltage	120-277V
Power Factor	0.9
Total Harmonic Distortion (THD)	15

LIGHTING PERFORMANCE

Lumens	24600
Lumens Per Watt (LPW)	123
Color Temperature (CCT)	4000K
Color Rendering (CRI)	70
R9 (Red Value)	-28
R13 (Skin Tones)	74
Beam Angle	7H x 6V
Light Distribution	Type I, Very Short
BUG Rating (Backlight, Uplight, and Glare)	B4 - U0 - G1
Dimmable Lighting Control	

ENVIRONMENT

Operating Temperature	-40° ~ 104°F
Suitable Location	WET
Ingress Protection Rating	IP65

LIFESPAN

Average Life (Hours)	50,000
Warranty (Years)	5

COMPONENTS

LED Light Source	LUXEON 3030 2D
Driver	WP-CHA-150U

CONSTRUCTION

Housing	Die Cast Aluminum
Lens	PC
Base / Power Supply	Hard Wired
Finish	Bronze

QUALIFICATIONS



Visit www.designlights.org/search to confirm qualification. - Published lumens on LED products are approximate and may vary slightly. - Specifications are subject to change without notice.

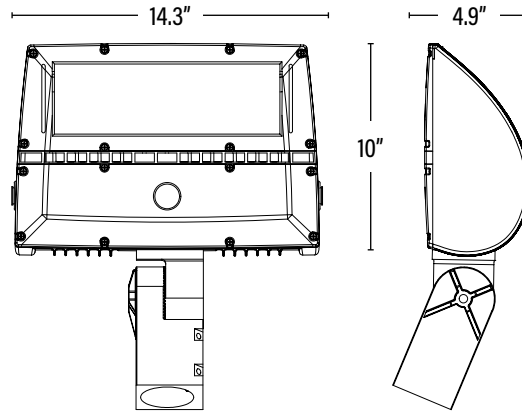
Item#: **84142**
LED FLOOD LIGHT



ITEM INFORMATION

DIMENSIONS (Inches)

Length	14.3"
Width	4.9"
Height	10"
Net Weight (Lbs)	--



SUPPORTING DOCUMENTS (Grey = not available at this time.)

Product Sheet	VIEW
Install Instructions	VIEW
IES Download from Web Item	VIEW
LM79	VIEW
LM80	VIEW

PACKAGING

		UPC	DIMENSIONS (LxWxH)	GROSS WEIGHT (Lbs)
Master Carton	1	811768023749	18.9" x 16.9" x 7.5"	22
Country of Origin	China			
HS Tariff	9405.10.6020			

ORDERING

ITEM#	DESCRIPTION	CASE
84142	LED FLOOD LIGHT/200W/40K/120-277V/BRZ • SLIP FITTER - DLC®	1

ACCESSORIES

84123	WIRE GUARD FOR LED FLOOD LIGHT/BRZ - 84140/84142	40
84124	TOP VISOR FOR LED FLOOD LIGHT/BRZ - 84140/84142	20
84144	TRUNNION MOUNT ONLY FOR FLOOD LIGHT/BRZ - 84140/84142	20
83646	ADAPTER TO MOUNT A SLIP FITTER ON A FLAT POLE OR WALL/BRZ	10

REPLACEMENT PARTS

WP-CHA-150U	REPLACEMENT 150W LED DRIVER	1
-------------	-----------------------------	---