



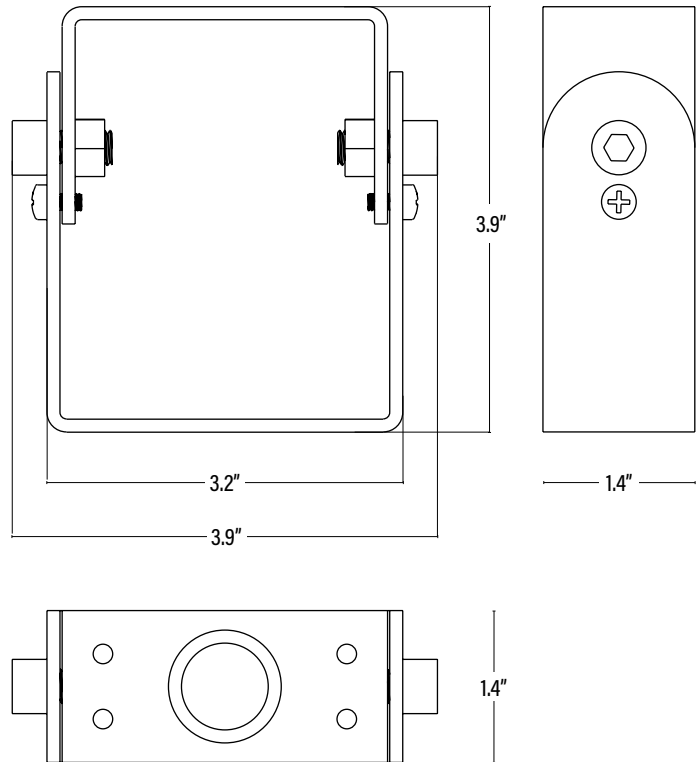
Item#: **84143**  
**TRUNNION MOUNT ONLY FOR SMALL LED FLOOD LIGHT**  
**ACCESSORY**

**APPLICATION**

For use with 20W, 30W, 50W, and 70W V2 LED Flood Lights.

**DIMENSIONS** (Inches)

|                  |      |
|------------------|------|
| Length           | 3.9" |
| Width            | 1.4" |
| Height           | 3.9" |
| Net Weight (Lbs) | --   |



TECHNICAL DATA

**PACKAGING**

|                   |              | UPC            | DIMENSIONS (LxWxH) | GROSS WEIGHT (Lbs) |
|-------------------|--------------|----------------|--------------------|--------------------|
| Master Carton     | 20           | 10811768022008 | 15" x 7.9" x 5.1"  | 15.4               |
| Item Box          | 1            | 811768022001   | --                 | 0.77               |
| Country of Origin | China        |                |                    |                    |
| HS Tariff         | 9405.10.6020 |                |                    |                    |

**ORDERING**

| ITEM# | DESCRIPTION  | CASE |
|-------|--|------|
| 84143 | TRUNNION MOUNT ONLY FOR FLOOD LIGHT/BRONZE/V2 - 84132/84134/84136/84138 - SUPERIOR LIFE® | 20   |