



Item#: **84210**

LED STADIUM LIGHT

OUTDOOR POLE/ARM-MOUNTED AREA AND ROADWAY LUMINAIRES • ARCHITECTURAL FLOOD AND SPOT LUMINAIRES

FEATURES

- Elegant and modern appearance.
- Independent power supply.
- Multi-faceted optic to distribute light evenly and reduce glare.
- Advanced technology, no electrical interference.
- 270° adjustable angle.
- Surge protection device.

APPLICATION

Arenas, gymnasiums, plazas, airports, courtyards and public areas.

ELECTRICAL

Wattage	500W
Voltage	120-277V
Current	4.2A
Power Factor	0.9
Total Harmonic Distortion (THD)	<15

LIGHTING PERFORMANCE

Lumens	67500
Lumens Per Watt (Lm/W)	135
Color Temperature (CCT)	5000K
Color Rendering (CRI)	70
R9 (Red Value)	--
R13 (Skin Tones)	--
Beam Angle	30°
Light Distribution	--
BUG Rating (Backlight, Uplight, and Glare)	--
Dimmable Lighting Control	<i>Dimmable</i> 0-10V, Range 10% - 100%

ENVIRONMENT

Operating Temperature	-22° ~ 122°F
Suitable Location	WET
Ingress Protection Rating	IP66

LIFESPAN

Average Life (Hours)	50,000
Warranty (Years)	5

COMPONENTS

LED Light Source	LumiLED 3030
Driver	Meanwell

CONSTRUCTION

Housing	Aluminum
Lens	PC
Base / Power Supply	Hard Wired
Finish	Bronze
Effective Projected Area (EPA)	Front: 1.42 ft ² / Side: 0.52 ft ² / Top: 2.57 ft ²
Wind Shear Rating	--

QUALIFICATIONS

Model Number	STDM2-FL-500-D-120V-30D-5000K
--------------	-------------------------------



Published lumens on LED products are approximate and may vary slightly. • Specifications are subject to change without notice.

PERFORMANCE DATA

Item#: **84210**
LED STADIUM LIGHT

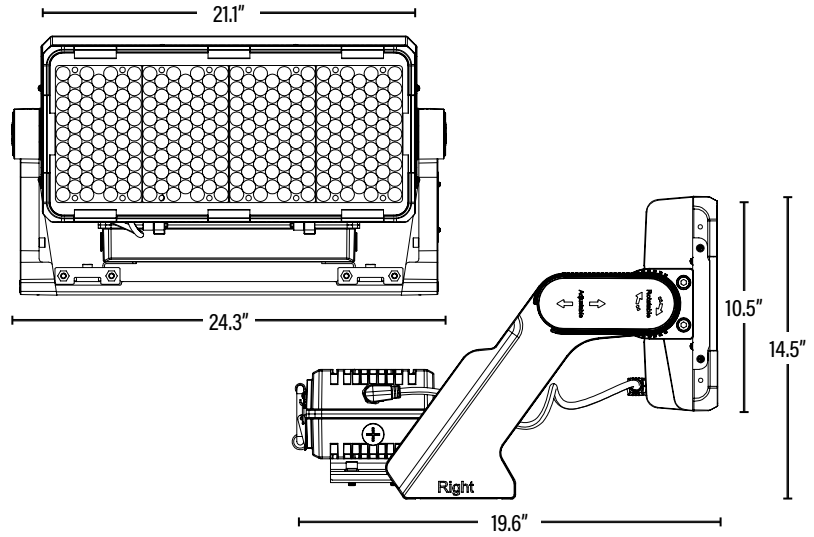


DIMENSIONS (Inches)

Length	24.3"
Width	14.5"
Height	19.6
Net Weight (Lbs)	42.8

SUPPORTING DOCUMENTS (Grey = not available at this time.)

Product Sheet	VIEW
Install Instructions	VIEW
IES Download from Web Item	VIEW
LM79	VIEW
LM80	VIEW



PACKAGING

Master Carton	1pc
Country of Origin	China
HS Tariff	--

UPC

811768025644

DIMENSIONS (LxWxH)

27.2" x 24.3" x 14.5"

GROSS WEIGHT (Lbs)

46.3

ORDERING Qualification Model # *STDM2-FL-500-D-120V-30D-5000K*

ITEM#	DESCRIPTION	CASE
84210	LED 500W STADIUM/50K/30°/120-277V/DIMMABLE/V2 - SUPERIOR LIFE®	1

ACCESSORIES

84222	SHIELD ACCESSORY FOR LED STADIUM LIGHT/V2 - SUPERIOR LIFE®	1
-------	--	---

ADDITIONAL INFORMATION:

Item may be special order; please consult with P.Q.L.

WITH GLARE SHIELD ACCESSORY



ITEM INFORMATION