



Item#: **84222**
LED STADIUM GLARE SHIELD
 ACCESSORY

APPLICATION

Compatible with V2 LED Stadium Lights.

DIMENSIONS (Inches)

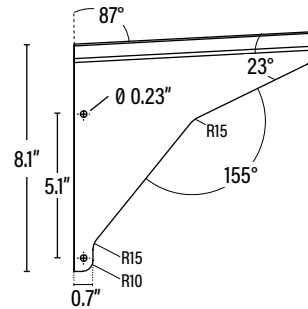
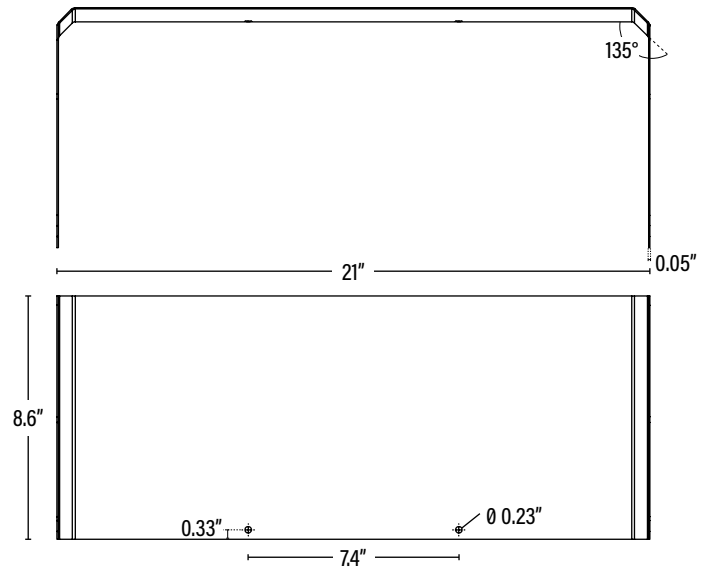
Length	21"
Width	8.6"
Height	8.1"
Net Weight (Lbs)	3

PACKAGING

PACKAGING	UPC	DIMENSIONS (LxWxH)	GROSS WEIGHT (Lbs)
Master Carton	1	--	--
Country of Origin	China		
HS Tariff	--		

ORDERING

ITEM#	DESCRIPTION	CASE
84222	SHIELD ACCESSORY FOR LED STADIUM LIGHT/V2 - SUPERIOR LIFE®	1



TECHNICAL DATA