



Item#: **84339**  
**LED COMPASS HIGH BAY**  
HIGH-BAY LUMINAIRES FOR COMMERCIAL AND INDUSTRIAL BUILDINGS

**FEATURES**

- Die cast aluminum for better heat dissipation
- Dust proof and anti-corrosive
- Modern design
- High efficiency driver with built-in surge protection
- Includes a 12V DC AUX wire
- Hi-Clarity Polycarbonate, UV-resistant Lens

**APPLICATION**

Ideal for commercial and industrial applications; malls, warehouses, factories, retail stores, athletic facilities, workshops, airports, and large areas.

**ELECTRICAL**

Wattage	597W
Voltage	277-480V
Power Factor	0.9
Total Harmonic Distortion (THD)	11

**LIGHTING PERFORMANCE**

Lumens	98480
Lumens Per Watt (LPW)	165
Color Temperature (CCT)	5000K
Color Rendering (CRI)	76
R9 (Red Value)	-9
Beam Angle	110°
Light Distribution	Type VS
BUG Rating (Backlight, Uplight, and Glare)	--
Dimmable Lighting Control	<i>Dimmable</i> 0-10V, Range 10% - 100%

**ENVIRONMENT**

Operating Temperature	-22°~ 122°F
Suitable Location	<b>WET</b>
Ingress Protection Rating	IP65

**LIFESPAN**

Average Life (Hours)	50,000
Warranty (Years)	<b>5</b>

**COMPONENTS**

LED Light Source	SMD 2835
Driver	--

**CONSTRUCTION**

Housing	Aluminum
Lens	UV-Resistant, PC
Base / Power Supply	Hard Wired
Finish	Black

**QUALIFICATIONS**

Model Number	CHB3-600-D-HV-50K-170S
--------------	------------------------



Visit [www.designlights.org/search](http://www.designlights.org/search) to confirm qualification. - Published lumens on LED products are approximate and may vary slightly. - Specifications are subject to change without notice.

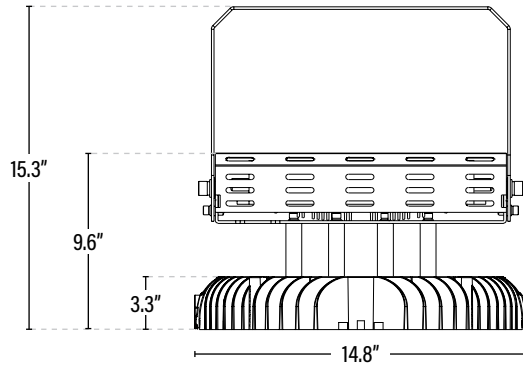
Item#: **84339**  
**LED COMPASS HIGH BAY**



ITEM INFORMATION

<b>DIMENSIONS</b> (Inches)	
Width/Diameter (MOD)	14.8"
Height	15.3"
Net Weight (Lbs)	--

<b>SUPPORTING DOCUMENTS</b> (Grey = not available at this time.)	
Product Sheet	VIEW
Install Instructions	VIEW
IES Download from Web Item	VIEW
LM79	VIEW
LM80	VIEW



<b>PACKAGING</b>	<b>UPC</b>	<b>DIMENSIONS</b> (LxWxH)	<b>GROSS WEIGHT</b> (Lbs)
Master Carton	1	--	--
Country of Origin	China		
HS Tariff	9405.10.6020		

**ORDERING** Qualification Model # CHB3-600-D-HV-50K-170S

<b>ITEM#</b>	<b>DESCRIPTION</b>	<b>CASE</b>
84339	LED COMPASS HIGH BAY/600W/50K/DIMM/480V/BLK - DLC®	1

<b>ACCESSORIES</b>		
90396*	78IN WATERPROOF CONNECTOR AND CORD/BLACK 18AWG/300V	50

<b>REPLACEMENT PARTS</b>		
--	REPLACEMENT LED DRIVER	1

\* Waterproof Connector (90396) are compatible as long as the input voltage does not exceed the rating of the accessory.

**ADDITIONAL INFORMATION:**

- Safety cable not included, must be provided by installer.
- Power and dimming cord length approximately 72"
- Multiple screw holes are conveniently placed throughout the top of the fixture to connect occupancy sensors and reflectors.