



Item#: **87015**
LED MINI SNAP & GO™ MODULE
 LINEAR RETROFIT KITS FOR 4' LUMINAIRES

FEATURES

- Replacements for traditional fluorescent fixtures and recessed troffers in drop-in ceilings.
- Linkable*; up to 12 modules can be connected in a series.
 *Maximum linked wattage of 150W combined. Maximum total power per input cord should not exceed 250W.

MOUNTING

- Designed for surface or magnetic* mounting.
 *Magnetic brackets sold separately.

APPLICATION

Ideal for retrofitting existing fluorescent fixtures, recessed troffers and cove lighting.

EACH MODULE INCLUDES



13"
Power Cord
Connector

2 ea.
Mounting
Brackets

Linking
End-to-End
Connector

End Cap

ELECTRICAL

Wattage	11W
Voltage	120V
Current	0.15A
Power Factor	0.9
Total Harmonic Distortion (THD)	20

LIGHTING PERFORMANCE

Lumens	1510
Lumens Per Watt (Lm/W)	135
Color Temperature (CCT)	4000K
Color Rendering (CRI)	80
R9 (Red Value)	N/A
R13 (Skin Tones)	N/A
Beam Angle	120°
Light Distribution	Very Short, Type II
BUG Rating (Backlight, Uplight, and Glare)	B1 - U3 - G1
Dimmable Lighting Control	

ENVIRONMENT

Operating Temperature	-4° ~ 104°F
Suitable Location	DAMP
Ingress Protection Rating	IP44

LIFESPAN

Average Life (Hours)	50,000
Warranty (Years)	5

COMPONENTS

LED Light Source	Optoelectronics 2835
------------------	----------------------

CONSTRUCTION

Housing	Aluminum / PC
Lens	Frosted
Base / Power Supply	Hard Wired

QUALIFICATIONS



Visit www.designlights.org/search to confirm qualification. • Published lumens on LED products are approximate and may vary slightly. • Specifications are subject to change without notice.

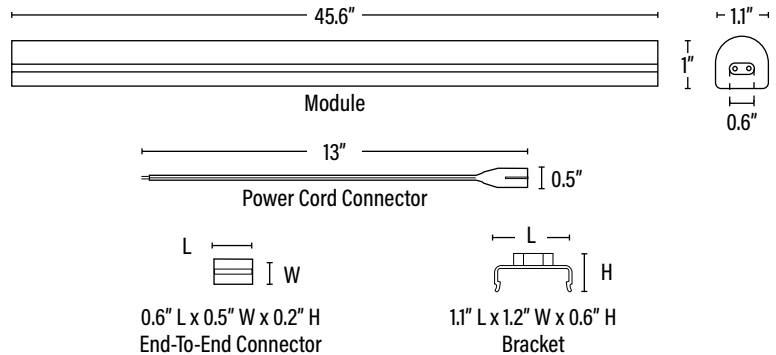
PERFORMANCE DATA

Item#: **87015**
LED MINI SNAP & GO™ MODULE



DIMENSIONS (Inches)

Length	45.6"
Width	1.1"
Height	1"
Net Weight (Lbs)	0.6



SUPPORTING DOCUMENTS (Grey = not available at this time.)

Product Sheet	VIEW
Install Instructions	VIEW
IES Download from Web Item	VIEW
LM79	VIEW
LM80	VIEW

PACKAGING

		UPC	DIMENSIONS (LxWxH)	GROSS WEIGHT (Lbs)
Master Carton	36	10811768023128	49.2" x 8.3" x 7.9"	12.3
Individual Box	1	811768023121	N/A	0.6
Country of Origin	China			
HS Tariff	9405.10.6020			

ORDERING

ITEM#	DESCRIPTION	CASE
87015	LED MINI SNAP & GO™ MODULE 4'/12W/40K/FR - SUPERIOR LIFE® DLC®	36

ACCESSORIES

87036	LED MINI SNAP & GO™ SET OF (2) MAGNETIC BRACKETS - SUPERIOR LIFE®	1
87038	LED MINI SNAP & GO™ 6" FLEXIBLE LINKING CORD CONNECTOR - SUPERIOR LIFE®	1
87030	LED MINI SNAP & GO™ 33" POWER CONNECTOR FOR 2 FIXTURES - SUPERIOR LIFE®	1
87031	LED MINI SNAP & GO™ 33" POWER CONNECTOR FOR 3 FIXTURES - SUPERIOR LIFE®	1
87032	LED MINI SNAP & GO™ 33" POWER CONNECTOR FOR 4 FIXTURES - SUPERIOR LIFE®	1

ADDITIONAL INFORMATION:

Family Item: 87016/5000K