



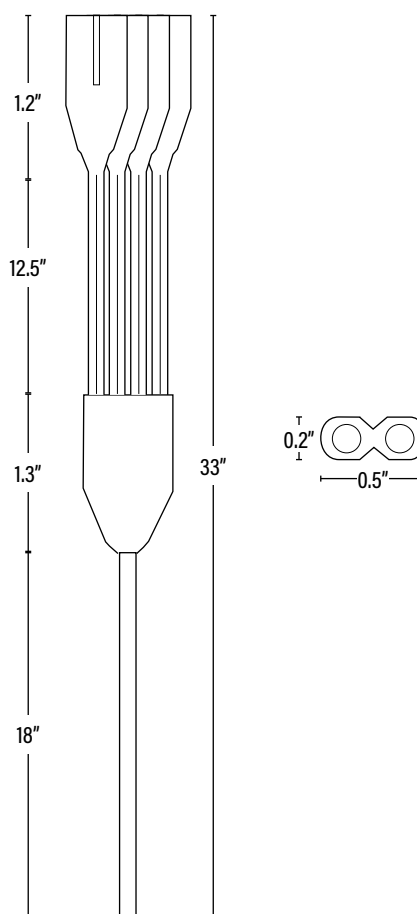
Item#: **87032**
POWER CONNECTOR - 4 MODULES
LED MINI SNAP & GO™ MODULE ACCESSORY

APPLICATION

To connect 4 LED Mini Snap & Go™ Modules

DIMENSIONS (Inches)

Length	33"
Width	0.5"
Height	0.2"
Net Weight (Lbs)	--



PACKAGING

		UPC	DIMENSIONS (LxWxH)	GROSS WEIGHT (Lbs)
Master Carton	252	10811768024484	--	--
Individual Box	1	811768024487		--
Country of Origin	China			
HS Tariff	9405.99.4090			

ORDERING

ITEM#	DESCRIPTION	CASE
87032	LED MINI SNAP & GO™ POWER CONNECTOR FOR 4 FIXTURES	252