



ORDERING CODE

90015

Canopy lights provide a superior alternative to traditional HID fixtures, making them ideal for commercial and industrial settings such as parking structures, gas stations, garages, underpasses, covered walkways, storage areas, and security lighting. This light features Spec-Select™ Design for adjustable output and brightness, a rugged housing, bright light distribution, and a compact design for easy installation.

WATTAGE RANGE

100W-150W
 SELECTABLE

LUMENS PER WATT

140

LOCATION RATING

WET

DIMMING

0-10V

QUALIFICATIONS



FEATURES & SPECIFICATIONS

ELECTRICAL

- Wattage selectable: 100W, 120W, 150W
- Input voltage of 120-277V
- Built-in surge protection

OPTICS

- CCT Selectable: 4000K, 5000K or 5700K
- Beam Angle: 120°
- CRI of >80

ENVIRONMENT

- Operating temperature -22°F to 113°F
- IP65 rating

CONSTRUCTION

- Aluminum housing
- PC lens
- Standard finish: White

INSTALLATION

- Easily installs to surfaces or pendant

90015

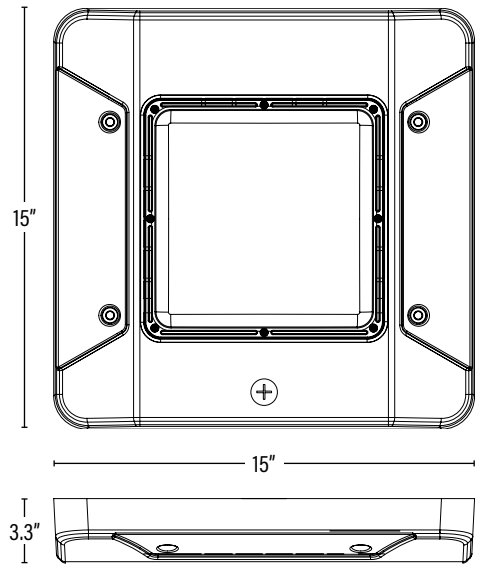
PERFORMANCE DATA

ELECTRICAL			
Wattage (Selectable)	100W	120W	150W
Voltage	120-277V		
Current @ 120V	0.83A	1A	1.25A
Current @ 277V	0.36A	0.43A	0.54A
Power Factor	0.9		
Total Harmonic Distortion (THD)	5.5		
OPTICAL			
Lumens	14600	17520	22097
Lumens Per Watt	146		
Color Temperature (CCT Selectable)	4000K / 5000K / 5700K		
Color Rendering (CRI)	83		
Beam Angle	120°		
Light Distribution	Type VS		
BUG Rating (Backlight, Uplight, and Glare)	B4 - U2 - G3		
Dimming	0-10V		
ENVIRONMENT			
Operating Temperature	-22°F ~ 113°F		
Suitable Location	Wet		
IP Rating	IP65		
CONSTRUCTION			
LED Chip	Lumileds		
Driver	SS160NH-E260BH		
Housing	Aluminum		
Lens	PC		
Finish	White		
Net Weight (Lbs)	9.9		
LISTINGS			
Model Number	CPY-WS-CS-CCT		
Qualifications	cUL, DLC® Premium		
WARRANTY			
Years	Standard 5 Years		

Default settings: Lowest wattage, 4000K. - Published lumens on LED products are approximate and may vary slightly. - Full warranty terms can be found on our website.

Note: To prevent water damage which may shorten the life of an exterior mounted fixture; the fixture should be properly weather sealed according to the installation instructions or between the fixture base and mounting surface. Damage due to improper installation may void the warranty.

DIMENSIONS



SHIPPING INFORMATION

PACKAGING	
Master Case	
Quantity	1
Size (LxWxH)	17.9" x 17.9" x 5.1"
Gross Weight (Lbs)	12.1

COO: China - Tariff: N/A



Visit www.designlights.org/search to confirm qualification.

Project: _____
 Catalog #: _____
 Quantity: _____ Date: _____