



Item#: **90302**  
**LED COMPASS HIGH BAY**  
 HIGH-BAY LUMINAIRES FOR COMMERCIAL AND INDUSTRIAL BUILDINGS

**FEATURES**

- Die cast aluminum for better heat dissipation
- Dust proof and anti-corrosive
- Modern design
- High efficiency driver with built-in surge protection

**APPLICATION**

Ideal for commercial and industrial applications; malls, warehouses, factories, retail stores, athletic facilities, workshops, airports, and large areas.

PERFORMANCE DATA

**ELECTRICAL**

Wattage	150W
Voltage	100-277V
Power Factor	0.9
Total Harmonic Distortion (THD)	7

**LIGHTING PERFORMANCE**

Lumens	22319
Lumens Per Watt (Lm/W)	149
Color Temperature (CCT)	5000K
Color Rendering (CRI)	85
R9 (Red Value)	17
Beam Angle	110°
Light Distribution	Type VS
BUG Rating (Backlight, Uplight, and Glare)	B4 - U2 - G1
Dimmable Lighting Control	<i>Dimmable</i> 0-10V, Range 10% - 100%

**ENVIRONMENT**

Operating Temperature	-22°~ 122°F
Suitable Location	<b>WET</b>
Ingress Protection Rating	IP65

**LIFESPAN**

Average Life (Hours)	50,000
Warranty (Years)	<b>5</b>

**COMPONENTS**

LED Light Source	Seoul
Driver	LF-FHB150YAIV

**CONSTRUCTION**

Housing	Aluminum
Lens	PC
Base / Power Supply	Hard Wired
Finish	Black

**QUALIFICATIONS**

Model Number	CHB3-150-D-MV-50K
--------------	-------------------



*Published lumens on LED products are approximate and may vary slightly. - Specifications are subject to change without notice.*

Item#: **90302**  
**LED COMPASS HIGH BAY**

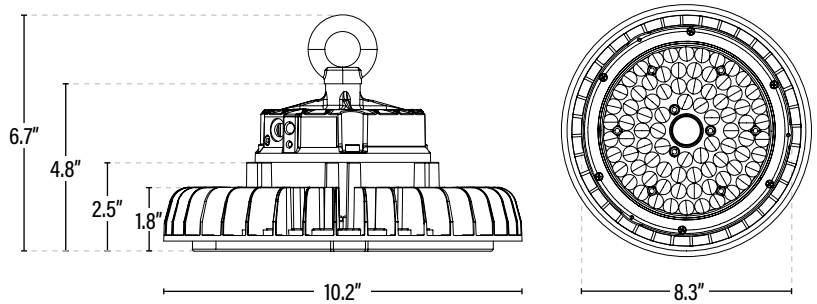


**DIMENSIONS** (Inches)

Width/Diameter (MOD)	10.2"
Height	6.7"
Net Weight (Lbs)	--

**SUPPORTING DOCUMENTS** (Grey = not available at this time.)

Product Sheet	VIEW
Install Instructions	VIEW
IES Download from Web Item	VIEW
LM79	VIEW
LM80	VIEW



ITEM INFORMATION

**PACKAGING**

	UPC	DIMENSIONS (LxWxH)	GROSS WEIGHT (Lbs)
Master Carton	1	811768022483	--
Country of Origin	China		
HS Tariff	9405.10.6020		

**ORDERING** Qualification Model # CHB3-150-D-MV-50K

ITEM#	DESCRIPTION	CASE
90302	LED COMPASS HIGH BAY 150W/50K/100-277V/DIMMABLE/V3 - SUPERIOR LIFE®	1

**ACCESSORIES**

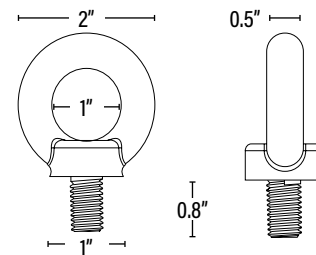
90372	ADJUSTABLE ANGLE MOUNTING BRACKET FOR COMPASS HIGH BAY - SUPERIOR LIFE®	20
90370	MICROWAVE MOTION SENSOR FOR COMPASS HIGH BAY/100-277V 1-10V DIMM/KIT	10
90360	16" ALUMINUM REFLECTOR FOR COMPASS HIGH BAY - SUPERIOR LIFE®	1
90362	16" ACRYLIC REFLECTOR FOR COMPASS HIGH BAY - SUPERIOR LIFE®	1
90363	16" ACRYLIC BOTTOM LENS FOR ACRYLIC REFLECTOR FOR COMPASS HIGH BAY - SUPERIOR LIFE®	1
90396	78" WATERPROOF CONNECTOR AND CORD/BLACK 18AWG/300V - SUPERIOR LIFE®	50
90366	EMERGENCY PACK FOR LED FIXTURE 15W/90 MIN - SUPERIOR LIFE®	5
90368	EMERGENCY PACK FOR LED FIXTURE 30W/90 MIN - SUPERIOR LIFE®	5

**REPLACEMENT PARTS**

903814	M12 REPLACEMENT EYELET FOR LED COMPASS HIGH BAYS	
LF-FHB150YAIV	150W REPLACEMENT DRIVER	1

**ADDITIONAL INFORMATION:**

- Safety rope length approximately 5' 9"
- Power and dimming cord length approximately 72"
- Multiple screw holes are conveniently placed throughout the top of the fixture to connect occupancy sensors and reflectors.



**M12**  
**Eyelet Dimensions**