



Item#: **90340**

## LED COMPASS HIGH BAY

HIGH-BAY LUMINAIRES FOR COMMERCIAL AND INDUSTRIAL BUILDINGS

### FEATURES

- Die cast aluminum for better heat dissipation.
- Dust proof and anti-corrosive.
- Elegant design.
- High efficiency Sosen driver with built-in 4KV surge protection.

### APPLICATION

Ideal for commercial and industrial applications; malls, warehouses, factories, retail stores, athletic facilities, workshops, airports, and large areas.

### ELECTRICAL

Wattage	204W
Voltage	120-277V
Power Factor	0.9
Total Harmonic Distortion (THD)	9

### LIGHTING PERFORMANCE

Lumens	28111
Lumens Per Watt (Lm/W)	138
Color Temperature (CCT)	5000K
Color Rendering (CRI)	84
R9 (Red Value)	--
R13 (Skin Tones)	--
Beam Angle	120°
Light Distribution	Type VS
BUG Rating (Backlight, Uplight, and Glare)	B4 - U2 - G2
Dimmable Lighting Control	<i>Dimmable</i> 0-10V, Range 10% - 100%

### ENVIRONMENT

Operating Temperature	-22°~122°F
Suitable Location	<b>WET</b>
Ingress Protection Rating	IP65

### LIFESPAN

Average Life (Hours)	50,000
Warranty (Years)	<b>5</b>

### COMPONENTS

LED Light Source	Seoul 2835
Driver	SS-200CP-54B

### CONSTRUCTION

Housing	Aluminum
Lens	Tempered Glass
Base / Power Supply	Hard Wired
Finish	Black

### QUALIFICATIONS



Visit [www.designlights.org/search](http://www.designlights.org/search) to confirm qualification. • Published lumens on LED products are approximate and may vary slightly. • Specifications are subject to change without notice.

Item#: **90340**  
**LED COMPASS HIGH BAY**

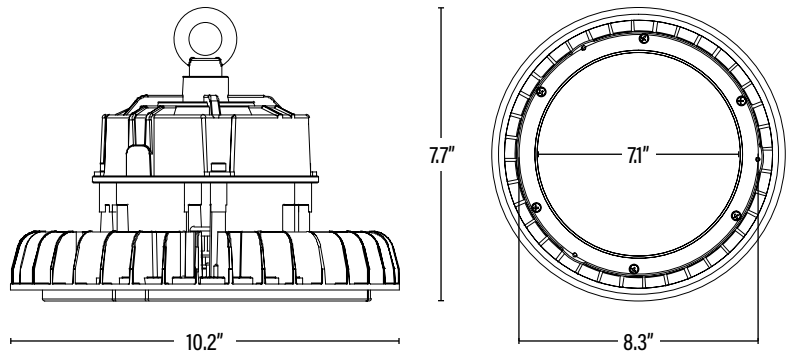


**DIMENSIONS** (Inches)

Width/Diameter (MOD)	10.2"
Height	7.7"
Net Weight (Lbs)	--

**SUPPORTING DOCUMENTS** (Grey = not available at this time.)

Product Sheet	VIEW
Install Instructions	VIEW
IES Download from Web Item	VIEW
LM79	VIEW
LM80	VIEW



ITEM INFORMATION

**PACKAGING**

	UPC	DIMENSIONS (LxWxH)	GROSS WEIGHT (Lbs)	
Master Carton	1	811768022155	12.6" x 12.6" x 9.3"	11.2
Country of Origin	China			
HS Tariff	9405.10.6020			

**ORDERING**

ITEM#	DESCRIPTION	CASE
90340	LED COMPASS HIGH BAY 200W/50K/120-277V/DIMMABLE/V2 - SUPERIOR LIFE® DLC®	1

**ACCESSORIES**

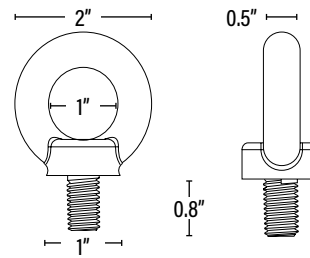
90372	ADJUSTABLE ANGLE MOUNTING BRACKET FOR COMPASS HIGH BAY - SUPERIOR LIFE®	20
90370	MICROWAVE MOTION SENSOR FOR COMPASS HIGH BAY/100-277V 1-10V DIMM/KIT	10
90360	16" ALUMINUM REFLECTOR FOR COMPASS HIGH BAY - SUPERIOR LIFE®	1
90362	16" ACRYLIC REFLECTOR FOR COMPASS HIGH BAY - SUPERIOR LIFE®	1
90363	16" ACRYLIC BOTTOM LENS FOR ACRYLIC REFLECTOR FOR COMPASS HIGH BAY - SUPERIOR LIFE®	1
90396	78" WATERPROOF CONNECTOR AND CORD/BLACK 18AWG/300V - SUPERIOR LIFE®	50

**REPLACEMENT PARTS**

903814	M12 REPLACEMENT EYELET FOR LED COMPASS HIGH BAYS	1
SS-200CP-54B	200 WATT DIMM LED DRIVER FOR 90340	1

**ADDITIONAL INFORMATION:**

- Safety rope length approximately 5' 9"
- Power and dimming cord length approximately 11.8" - 15.7"
- Multiple screw holes are conveniently placed throughout the top of the fixture to connect occupancy sensors and reflectors.
- Emergency Battery Back Ups are available for 120-277V applications by special order. Contact your sales representative to discuss your specific needs.



**M12**  
**Eyelet Dimensions**