

# 16" REFLECTOR INSTALLATION

FOR 100W - 300W LED COMPASS HIGH BAYS



**WARNING** Before installing, servicing, or performing routine maintenance upon this equipment, follow these general precautions:

- Turn off the power before installation or performing any maintenance.
- Avoid prolonged eye contact with light while it is on.
- Account for small parts and destroy packing material, as these may be hazardous to children.

## 90362 - ACRYLIC REFLECTOR

Kit includes: 1 Reflector and 3 Screws.

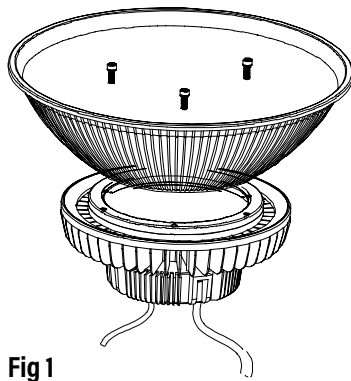


Fig 1

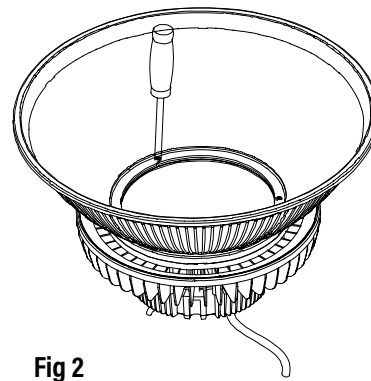


Fig 2

1. Match the holes on the reflector to the threaded holes on the fixture. Insert screws (x3). (Fig. 1)
2. Tightening the screws completely to secure the reflector to the fixture. (Fig. 2)

## 90363 - ACRYLIC BOTTOM LENS - *Optional*

Kit includes: 1 Lens, 1 Metal Ring and 1 Spring.

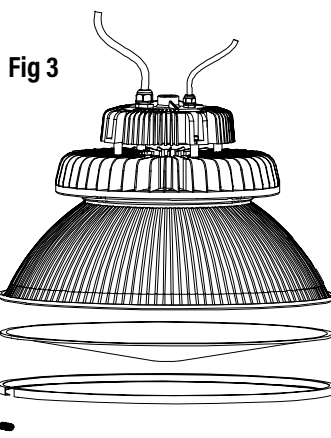


Fig 3

- Acrylic Reflector
- Acrylic Lens
- Metal Ring
- Spring

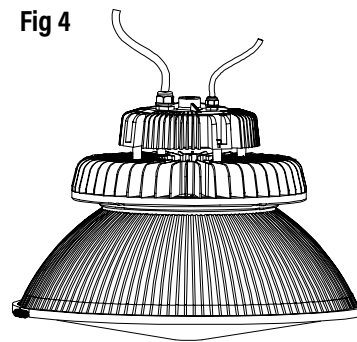


Fig 4

1. Match lens to the reflector, place the metal ring around the lens and reflector. (Fig. 3)
2. Attach spring to the metal ring where the ends over lap. (Fig. 4)