

90370 • MICROWAVE MOTION SENSOR

INSTALL INSTRUCTIONS



PLEASE FIND A QUALIFIED ELECTRICIAN FOR INSTALLATION. Please read the instructions before you install and use the luminaire.

GENERAL: ALL ELECTRICAL CONNECTIONS MUST BE IN ACCORDANCE WITH LOCAL AND NATIONAL ELECTRICAL CODE (N.E.C.) STANDARDS. IF YOU ARE UNFAMILIAR WITH PROPER ELECTRICAL WIRING CONNECTIONS OBTAIN THE SERVICES OF A QUALIFIED ELECTRICIAN. REMOVE THE TRIM FROM THE BOX AND MAKE SURE THAT NO PARTS ARE MISSING.

WARNING - Risk of fire or electric shock. Installation requires knowledge of luminaire electrical systems. If not qualified, do not attempt installation. Contact a qualified electrician.

WARNING - Risk of fire or electric shock. Install this kit only in luminaries that have the construction features and dimensions shown in the photographs and/or drawings and where the input rating of the retrofit kit does not exceed the input rating of the luminaire

Do not make or alter any open holes in an enclosure of wiring or electrical components during kit installation

WARNING - To prevent wiring damage or abrasion, do not expose wiring to edges of sheet metal or other sharp objects

Risk of Electric Shock: Disconnect power or circuit breaker before installing or servicing.

! WARNING DISCONNECT POWER BEFORE INSTALLING OR SERVICING.

SENSOR INSTALLATION FOR A COMPASS HIGH BAY

Kit includes:



Mounting Plate A

Mounting Plate B

Terminal Block

M3 Screws

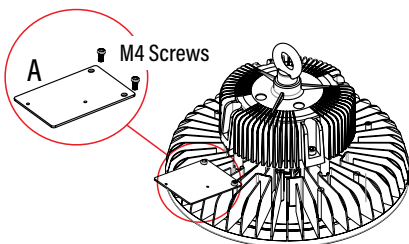
M4 Screws

Microwave Motion Sensor

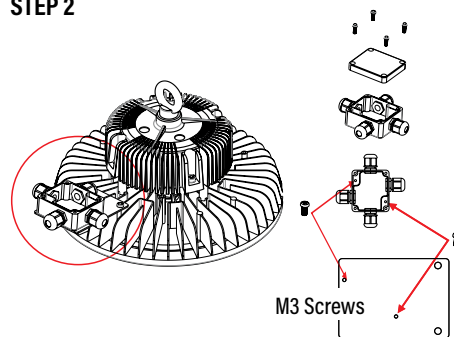
Wiring Cap

**Halo High Bay sold separately*

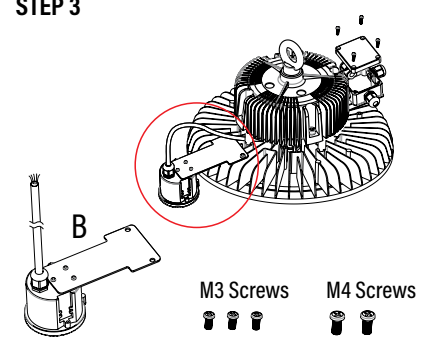
STEP 1



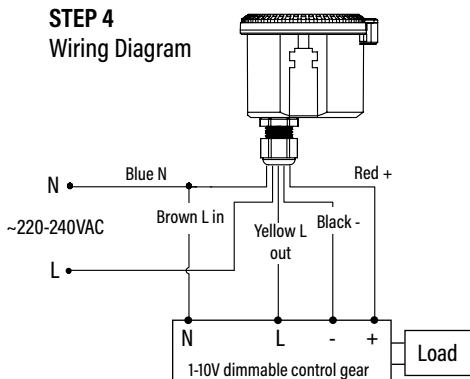
STEP 2



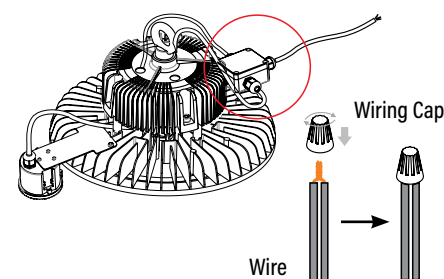
STEP 3



STEP 4 Wiring Diagram



STEP 5



STEP 6 Install completed

