



Item#: **90385**

LED COMPASS HIGH BAY

HIGH-BAY LUMINAIRES FOR COMMERCIAL AND INDUSTRIAL BUILDINGS

FEATURES

- Die cast aluminum for better heat dissipation.
- Dust proof and anti-corrosive.
- Elegant design.
- High efficiency Meanwell constant-current driver.

APPLICATION

Ideal for commercial and industrial applications; malls, warehouses, factories, retail stores, athletic facilities, workshops, airports, and large areas.

ELECTRICAL

Wattage	392W
Voltage	100-277V
Power Factor	0.9
Total Harmonic Distortion (THD)	15.7

LIGHTING PERFORMANCE

Lumens	49526
Lumens Per Watt (Lm/W)	126
Color Temperature (CCT)	5000K
Color Rendering (CRI)	82
R9 (Red Value)	9
R13 (Skin Tones)	85
Beam Angle	120°
Light Distribution	Type VS
Dimmable Lighting Control	<i>Dimmable</i> 1-10V, Range 10% - 100%

ENVIRONMENT

Operating Temperature	-22° ~ 122°F
Suitable Location	WET
Ingress Protection Rating	IP65

LIFESPAN

Average Life (Hours)	50,000
Warranty (Years)	5

COMPONENTS

LED Light Source	Luxeon 3030
Driver	Meanwell HLG-240H-48AB (2 ea.)

CONSTRUCTION

Housing	Aluminum
Lens	Tempered Glass
Base / Power Supply	Hard Wired
Finish	Black

QUALIFICATIONS



Visit www.designlights.org/search to confirm qualification. - Published lumens on LED products are approximate and may vary slightly.

PERFORMANCE DATA

PACKAGING

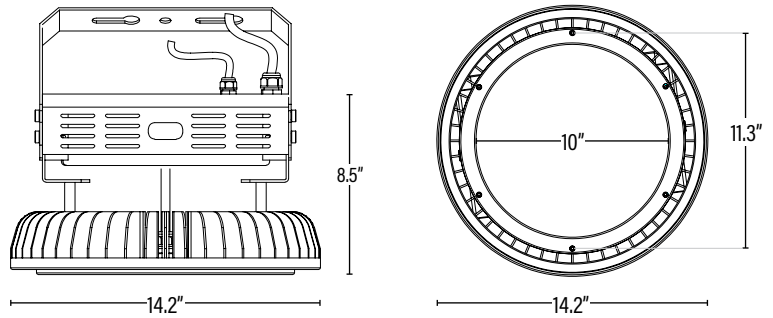
Item#: **90385**
COMPASS HIGH BAY



DIMENSIONS (Inches)

Length (MOL)	14.2"
Width/Diameter (MOD)	14.2"
Height	8.5"
Weight (Lbs)	19.8

Line drawings may not be to scale and are for general reference only.



SUPPORTING DOCUMENTS (Grey = not available at this time.)

Product Sheet	VIEW
Install Instructions	VIEW
IES Download from Web Item	VIEW
LM79	VIEW
LM80	VIEW

PACKAGING

	UPC	DIMENSIONS (LxWxH)	GROSS WEIGHT (Lbs)	
Master Carton	1	811768024715	17.7" x 17.7" x 17.7"	23.1
Country of Origin	China			
HS Tariff	9405.40.8200			

ORDERING

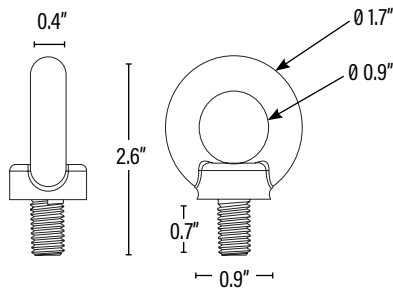
ITEM#	DESCRIPTION	CASE
90385	LED COMPASS HIGH BAY 400W/50K/100-277V/DIMMABLE - SUPERIOR LIFE® DLC®	1

ACCESSORIES/REPLACEMENT PARTS

90370	MICROWAVE MOTION SENSOR FOR COMPASS HIGH BAY/100-277V 1-10V DIMMABLE/KIT	10
90396	78" WATERPROOF CONNECTOR AND CORD/BLACK 18AWG/300V - SUPERIOR LIFE®	50
HLG-240H-48AB-2	FACTORY ADJUSTED 200W LED DIMMABLE REPLACEMENT DRIVER - 2 DRIVERS PER SET	1

ADDITIONAL INFORMATION:

- Safety rope length approximately 5' 9"
- Power and dimming cord length approximately 11.8" - 15.7"
- Multiple screw holes are conveniently placed throughout the top of the fixture to connect occupancy sensors and reflectors.
- Hook dimensions (Screw M12):



PERFORMANCE DATA

PACKAGING