



Item#: **90387**
LED COMPASS HIGH BAY
 HIGH-BAY LUMINAIRES FOR COMMERCIAL AND INDUSTRIAL BUILDINGS

FEATURES

- Die cast aluminum for better heat dissipation.
- Dust proof and anti-corrosive.
- Elegant design.
- High efficiency Meanwell constant-current driver.

APPLICATION

Ideal for commercial and industrial applications; malls, warehouses, factories, retail stores, athletic facilities, workshops, airports, and large areas.

ELECTRICAL

Wattage	511W
Voltage	100-277V
Power Factor	0.9
Total Harmonic Distortion (THD)	14.6

LIGHTING PERFORMANCE

Lumens	64837
Lumens Per Watt (Lm/W)	127
Color Temperature (CCT)	5000K
Color Rendering (CRI)	82
R9 (Red Value)	11
R13 (Skin Tones)	85
Beam Angle	120°
Light Distribution	Type VS
Dimmable Lighting Control	<i>Dimmable</i> 1-10V, Range 10% - 100%

ENVIRONMENT

Operating Temperature	-22° ~ 122°F
Suitable Location	WET
Ingress Protection Rating	IP65

LIFESPAN

Average Life (Hours)	50,000
Warranty (Years)	5

COMPONENTS

LED Light Source	Luxeon 3030
Driver	Meanwell HLG-240H-48AB (2 ea.)

CONSTRUCTION

Housing	Aluminum
Lens	Tempered Glass
Base / Power Supply	Hard Wired
Finish	Black

QUALIFICATIONS



Visit www.designlights.org/search to confirm qualification. - Published lumens on LED products are approximate and may vary slightly.

PERFORMANCE DATA

PACKAGING

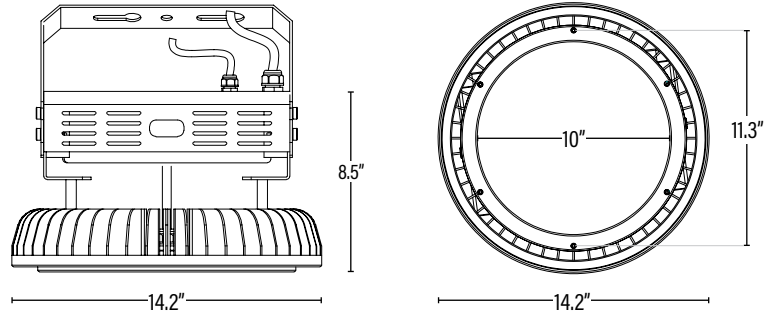
Item#: **90387**
COMPASS HIGH BAY



DIMENSIONS (Inches)

Length (MOL)	14.2"
Width/Diameter (MOD)	14.2"
Height	8.5"
Weight (Lbs)	19.8

Line drawings may not be to scale and are for general reference only.



SUPPORTING DOCUMENTS (Grey = not available at this time.)

Product Sheet	VIEW
Install Instructions	VIEW
IES Download from Web Item	VIEW
LM79	VIEW
LM80	VIEW

PACKAGING

	UPC	DIMENSIONS (LxWxH)	GROSS WEIGHT (Lbs)
Master Carton	811768024425	17.7" x 17.7" x 17.7"	23.1
Country of Origin	China		
HS Tariff	9405.40.8200		

ORDERING

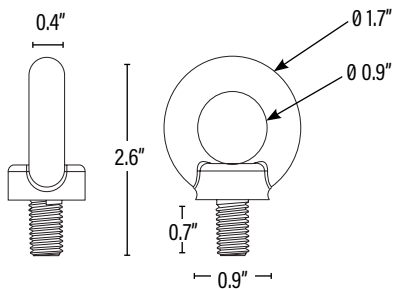
ITEM#	DESCRIPTION	CASE
90387	LED COMPASS HIGH BAY 500W/50K/100-277V/DIMMABLE - SUPERIOR LIFE® DLC®	1

ACCESSORIES/REPLACEMENT PARTS

90370	MICROWAVE MOTION SENSOR FOR COMPASS HIGH BAY/100-277V 1-10V DIMM/KIT	10
90396	78" WATERPROOF CONNECTOR AND CORD/BLACK 18AWG/300V - SUPERIOR LIFE®	50
HLG-240H-48AB	240W LED DIMMABLE REPLACEMENT DRIVER - 2 DRIVERS PER SET	1

ADDITIONAL INFORMATION:

- Safety rope length approximately 5' 9"
- Power and dimming cord length approximately 11.8" - 15.7"
- Multiple screw holes are conveniently placed throughout the top of the fixture to connect occupancy sensors and reflectors.
- Hook dimensions (Screw M12):



PERFORMANCE DATA

PACKAGING