



Item#: **90388**
LED COMPASS HIGH BAY
HIGH-BAY LUMINAIRES FOR COMMERCIAL AND INDUSTRIAL BUILDINGS

FEATURES

- Die cast aluminum for better heat dissipation.
- Dust proof and anti-corrosive.
- Elegant design.
- High efficiency Meanwell driver.

APPLICATION

Ideal for commercial and industrial applications; malls, warehouses, factories, retail stores, athletic facilities, workshops, airports, and large areas.

ELECTRICAL

Wattage	504W
Voltage	200-480V
Power Factor	0.9
Total Harmonic Distortion (THD)	13.2

LIGHTING PERFORMANCE

Lumens	66099
Lumens Per Watt (LPW)	131
Color Temperature (CCT)	5000K
Color Rendering (CRI)	82
R9 (Red Value)	--
R13 (Skin Tones)	--
Beam Angle	120°
Light Distribution	Type VS
BUG Rating (Backlight, Uplight, and Glare)	B5 - U3 - G2
Dimmable Lighting Control	<i>Dimmable</i> 0-10V, Range 10% - 100%

ENVIRONMENT

Operating Temperature	-22°~ 122°F
Suitable Location	WET
Ingress Protection Rating	IP65

LIFESPAN

Average Life (Hours)	50,000
Warranty (Years)	5

COMPONENTS

LED Light Source	Luxeon 3030
Driver	Meanwell HVG-240-48AB (2 ea.)

CONSTRUCTION

Housing	Aluminum
Lens	Tempered Glass
Base / Power Supply	Hard Wired
Finish	Black

QUALIFICATIONS



Published lumens on LED products are approximate and may vary slightly. • Specifications are subject to change without notice.

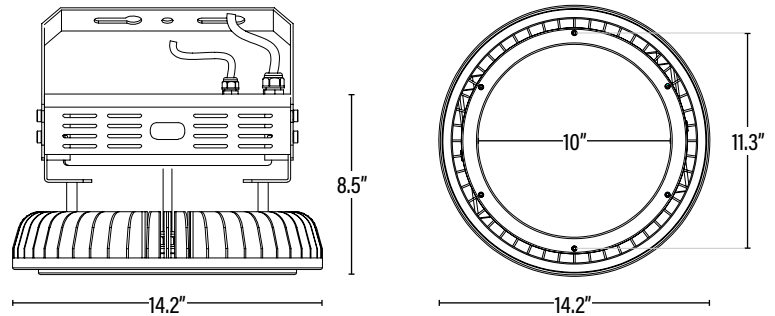
Item#: **90388**
LED COMPASS HIGH BAY

DIMENSIONS (Inches)

Width/Diameter (MOD)	14.2"
Height	8.5"
Net Weight (Lbs)	19.8

SUPPORTING DOCUMENTS (Grey = not available at this time.)

Product Sheet	VIEW
Install Instructions	VIEW
IES Download from Web Item	VIEW
LM79	VIEW
LM80	VIEW



PACKAGING

	UPC	DIMENSIONS (LxWxH)	GROSS WEIGHT (Lbs)	
Master Carton	1	811768029178	17.7" x 17.7" x 11.8"	23.2
Country of Origin	China			
HS Tariff	9405.10.6020			

ORDERING

ITEM#	DESCRIPTION	CASE
90388	LED COMPASS HIGH BAY/500W/50K/DIMM/480V/BLK - 5.0	1

ACCESSORIES

90396*	78IN WATERPROOF CONNECTOR AND CORD/BLACK 18AWG/300V	50
--------	-----------------------------------------------------	----

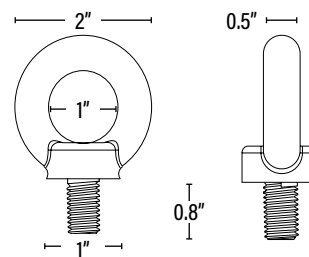
REPLACEMENT PARTS

903814	M12 REPLACEMENT EYELET FOR LED COMPASS HIGH BAYS	1
HVG-240-48AB	REPLACEMENT LED DRIVER	1

* Waterproof Connector (90396) are compatible as long as the input voltage does not exceed the rating of the accessory.

ADDITIONAL INFORMATION:

- Safety rope length approximately 5' 9"
- Power and dimming cord length approximately 11.8" - 15.7". Stock with a production date code on or after 11/2020 will have a 72" (6FT) cord length.
- Multiple screw holes are conveniently placed throughout the top of the fixture to connect occupancy sensors and reflectors.



M12
Hook dimensions