



Item#: **90395**
LED COMPASS HIGH BAY
HIGH-BAY LUMINAIRE FOR COMMERCIAL AND INDUSTRIAL BUILDINGS

FEATURES

- Die cast aluminum for better heat dissipation
- Dust proof and anti-corrosive
- Modern design
- High efficiency driver with built-in surge protection
- Includes a 12V DC AUX wire

APPLICATION

Ideal for commercial and industrial applications; malls, warehouses, factories, retail stores, athletic facilities, workshops, airports, and large areas.

ELECTRICAL

| | |
|---------------------------------|----------|
| Wattage | 399W |
| Voltage | 100-277V |
| Power Factor | 0.9 |
| Total Harmonic Distortion (THD) | 8.2 |

LIGHTING PERFORMANCE

| | |
|--|--|
| Lumens | 66708 |
| Lumens Per Watt (LPW) | 167 |
| Color Temperature (CCT) | 5000K |
| Color Rendering (CRI) | 76 |
| R9 (Red Value) | -8 |
| Beam Angle | 110° |
| Light Distribution | Type VS |
| BUG Rating (Backlight, Uplight, and Glare) | B5 - Ux - G3 |
| Dimmable Lighting Control | <i>Dimmable</i> 0-10V, Range 10% - 100% |

ENVIRONMENT

| | |
|---------------------------|-------------|
| Operating Temperature | -22°~ 122°F |
| Suitable Location | WET |
| Ingress Protection Rating | IP65 |

LIFESPAN

| | |
|----------------------|----------|
| Average Life (Hours) | 50,000 |
| Warranty (Years) | 5 |

COMPONENTS

| | |
|------------------|----------------|
| LED Light Source | Lumiled 2835 |
| Driver | SS-480CA-228BH |

CONSTRUCTION

| | |
|---------------------|----------------|
| Housing | Aluminum |
| Lens | Tempered Glass |
| Base / Power Supply | Hard Wired |
| Finish | Black |

QUALIFICATIONS

| | |
|--------------|------------------------|
| Model Number | CHB3-400-D-MV-50K-170S |
|--------------|------------------------|



Visit www.designlights.org/search to confirm qualification. - Published lumens on LED products are approximate and may vary slightly. - Specifications are subject to change without notice.

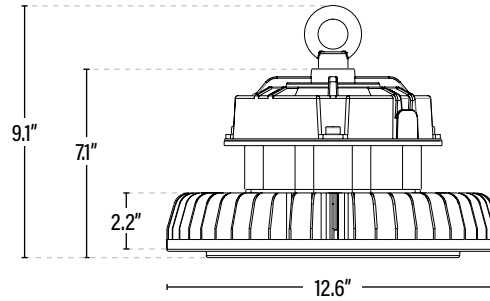
Item#: **90395**
LED COMPASS HIGH BAY



ITEM INFORMATION

DIMENSIONS (Inches)

| | |
|----------------------|-------|
| Width/Diameter (MOD) | 12.6" |
| Height | 7.1" |
| Net Weight (Lbs) | 13.6 |



SUPPORTING DOCUMENTS (Grey = not available at this time.)

| | |
|----------------------------|------|
| Product Sheet | VIEW |
| Install Instructions | VIEW |
| IES Download from Web Item | VIEW |
| LM79 | VIEW |
| LM80 | VIEW |

PACKAGING

| | UPC | DIMENSIONS (LxWxH) | GROSS WEIGHT (Lbs) | |
|-------------------|--------------|--------------------|----------------------|----|
| Master Carton | 1 | 811768029178 | 15.2" x 15.2" x 9.1" | -- |
| Country of Origin | China | | | |
| HS Tariff | 9405.10.6020 | | | |

ORDERING Qualification Model # CHB3-400-D-MV-50K-170S

| ITEM# | DESCRIPTION | CASE |
|-------|--|------|
| 90395 | LED COMPASS HIGH BAY/400W/50K/DIMM/100-277V/BLK - DLC® | 1 |

ACCESSORIES

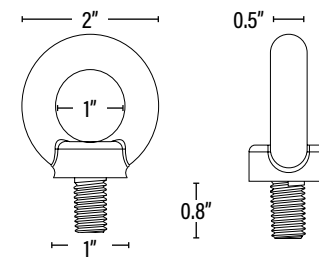
| | | |
|-------|---|----|
| 90372 | ADJUSTABLE ANGLE MOUNTING BRACKET FOR 100-240W COMPASS HIGH BAY | 20 |
| 90360 | 16IN ALUMINUM REFLECTOR FOR COMPASS HIGH BAY | 1 |
| 90362 | 16IN ACRYLIC REFLECTOR FOR COMPASS HIGH BAY | 1 |
| 90363 | 16IN ACRYLIC BOTTOM LENS FOR ACRYLIC REFLECTOR FOR COMPASS HIGH BAY | 1 |
| 90396 | 78IN WATERPROOF CONNECTOR AND CORD/BLACK 18AWG/300V | 50 |

REPLACEMENT PARTS

| | | |
|----------------|--|---|
| 903814 | M12 REPLACEMENT EYELET FOR LED COMPASS HIGH BAYS | 1 |
| SS-480CA-228BH | REPLACEMENT DRIVER | 1 |

ADDITIONAL INFORMATION:

- Safety cable not included, must be provided by installer.
- Power and dimming cord length approximately 72"
- Multiple screw holes are conveniently placed throughout the top of the fixture to connect occupancy sensors and reflectors.



M12
Eyelet Dimensions