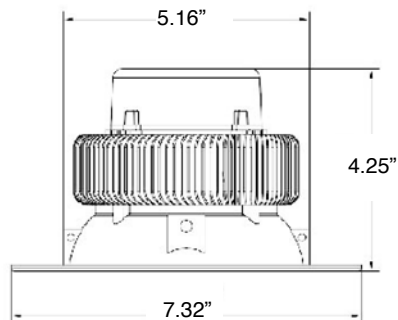




# LED 5"/6" RETROFIT CAN

15W / 120V

INSTALL INSTRUCTIONS



### PLEASE FIND A QUALIFIED ELECTRICIAN FOR INSTALLATION.

Please read the instruction before you install and use the luminaire.

90905 LED RETROFIT 5"/6" CAN 15W/30K/WHITE TRIM/MED DIMMABLE

90908 LED RETROFIT 5"/6" CAN 15W/50K/WHITE TRIM/MED DIMMABLE

### SPECIFICATIONS

ITEM#	WATTS	COLOR	LUMENS	CRI	VOLT	INPUT CURRENT
90905	15	3000K	1200	80	120V	0.125
90908	15	5000K	1200	80	120V	0.125

### HOUSING

Comes with a dedicated LED connector for California Title 24 Compliance, and is UL Listed for installation into Halo H7501CAT, H750RICAT, H750T and H750TCP series recessed LED housings.

Also included, is an Edison base adapter to accommodate standard screw base ICAT housings. The 90905 and 90908 is UL Listed and Classified for retrofit in the following housing.



### WARNING

#### RISK OF FIRE

Supply conductors (power wires) connecting the fixture must be rated minimum 90°C. If uncertain, consult an electrician.

Risk of Electric Shock: Disconnect power or circuit breaker before installing or servicing.

NOTE: This device complies with part 15 of the FCC Rules. Operation is subject to the following two conditions:

This device may not cause harmful interference, and

This device must accept interference received, including interference that may cause undesired operation.

CAUTION: To avoid possible electrical shock, be sure that power supply is turned off at fuse box or circuit breaker before installing or servicing fixture. For your safety read and understand instructions completely before beginning installation.

The products intended to be used in dry locations only.

THIS PRODUCT MUST BE INSTALLED IN ACCORDANCE WITH THE APPLICABLE INSTALLATION CODE BY A PERSON FAMILIAR WITH THE CONSTRUCTION AND OPERATION OF THE LUMINAIRE'S ELECTRICAL SYSTEM AND THE HAZARDS INVOLVED.

WARNING - RISK OF FIRE OR ELECTRIC SHOCK. The electrical rating of these products are 120 Vac, the installer must determine whether they have 100-120Vac at the luminaire before installation.

WARNING - RISK OF FIRE OR ELECTRIC SHOCK. Install this kit only in the luminaires that has the construction features and dimensions show in the photographs and/or drawings.

WARNING - To prevent wiring damage or abrasion, do not expose wiring to edges of sheet metal or other sharp objects. Do not make or alter and open holes in an enclosure of wiring or electrical components during kit installation.

Compatible with most LUTRON & LEVITON Dimmer.

THIS DEVICE IS NOT INTENDED FOR USE WITH EMERGENCY EXITS

### INSTALLATION



STEP 1: Shut off power before work



STEP 2: Twist adaptor into socket



STEP 3: Insert male connector into female one.



STEP 4: Insert LED trim.  
STEP 5: Push in the halo.