



Item#: **90990**
LED 8" RETROFIT CAN
 INDOOR FIXTURE

FEATURES

- Energy efficient: save up to 80% in energy costs
- High lumen output
- Instant-On
- For covered ceilings only
- Suitable for TYPE IC or NON-IC
- **Only Dimmable at 120V**

APPLICATION

Ideal for retrofitting inefficient fixtures in malls, hospitals, airports, offices, lobbies and other commercial applications.

ELECTRICAL

Wattage	25W
Voltage	100-277V
Output Voltage	30V, 700mA
Current	0.205A
Power Factor	0.95
Total Harmonic Distortion (THD)	<25

LIGHTING PERFORMANCE

Lumens	1950
Lumens Per Watt (Lm/W)	78
Color Temperature (CCT)	2700K
Color Rendering (CRI)	83
R9 (Red Value)	--
R13 (Skin Tones)	--
Beam Angle	95°
Light Distribution	Type VS
Dimmable Lighting Control	<i>Dimmable</i> see compatibility report

ENVIRONMENT

Operating Temperature	-40° ~ 104°F
Suitable Location	WET Indoor / Covered Ceilings
Ingress Protection Rating	IP43

LIFESPAN

Average Life (Hours)	50,000
Warranty (Years)	5

COMPONENTS

LED Light Source	Hongli 2835D
------------------	--------------

CONSTRUCTION

Housing	Aluminum Alloy
Base / Power Supply	Hard Wired
Finish	White

QUALIFICATIONS



Published lumens on LED products are approximate and may vary slightly.

PERFORMANCE DATA

PACKAGING

Item#: **90990**
LED 8" RETROFIT CAN



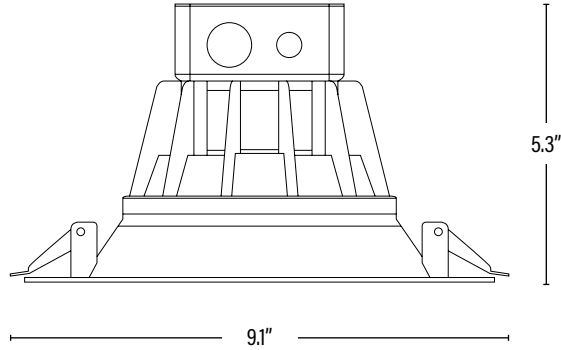
DIMENSIONS (Inches)

Length (MOL)	5.3"
Width/Diameter (MOD)	9.1"
Weight (Lbs)	--

Line drawings may not be to scale and are for general reference only.

SUPPORTING DOCUMENTS (Grey = not available at this time.)

Product Sheet	VIEW
Install Instructions	VIEW
IES Download from Web Item	VIEW
Dimmer Compatibility	VIEW
LM79	VIEW
LM80	VIEW



PACKAGING

		UPC	DIMENSIONS (LxWxH)	GROSS WEIGHT (Lbs)
Master Carton	6	10811768027409	--	--
Individual Box	1	811768027402	9.1" x 9.1" x 5.6"	--
Country of Origin	China			
HS Tariff	8539.50.0020			

ORDERING

ITEM#	DESCRIPTION	CASE
90990	LED RETROFIT 8" CAN/WHITE/25W/27K/100-277V/TRIAC DIMMING - SUPERIOR LIFE®	6

ADDITIONAL INFORMATION:

- Only dimmable at 120V.

PERFORMANCE DATA

PACKAGING