



PREMIUM QUALITY LIGHTING

# LED UNDER CABINET INSTALL INSTRUCTIONS



## SAFETY INFORMATION

**PLEASE FIND A QUALIFIED ELECTRICIAN FOR INSTALLATION. Please read the instructions before you install and use the luminaire.**

These Portable Luminaries have a polarized plug (one blade is wider than the other) as a safety feature to reduce the risk of electric shock. This plug will fit in a polarized outlet only in one way; if the plug does not fit fully in to the outlet, reverse the plug. If it still does not fit, contact a licensed electrician. Never use with an extension cord unless the plug can be fully inserted. Do not alter the plug.

- Use only insulated staples or plastic ties to secure cord.
- If used as an under cabinet light, route and secure cords so that they will not be pinched or damaged when the cabinet is pushed to the wall.
- Position the portable under cabinet light so that the lamp replacement markings are clearly visible during re-lamping.
- Installation only intended for under cabinet, under shelf, or cove applications.
- Not intended for surface or recessed installation inside built-in furnishings such as; kitchen cabinets, china cabinets, or trophy cases.
- The National Electrical Code (NEC) does not permit cords to be concealed where damage to the insulation may go unnoticed. To prevent fire danger, do not run cords behind walls, ceilings, soffits, or cabinets where it may be inaccessible for examination. Cords should be visually examined periodically and immediately replaced when any damage is noted.
- The portable Cabinet Luminaries may be installed inside a kitchen cabinet or other built-in furnishing provided that the cabinet or built-in furnishing is provided with a dedicated receptacle and the line voltage cord is not concealed or routed through openings in the cabinet or furnishing.
- There are no user serviceable parts inside light. Do not open fixture or damage may result and will void warranty.
- The LEDs on this fixture are not user serviceable. The LEDs strip cannot be replaced.
- Interconnection of fixtures must remain within the current rating and the maximum number of units in accordance with the table below:

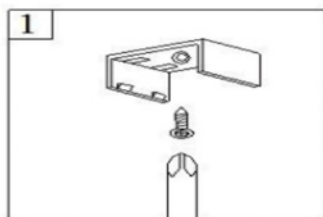
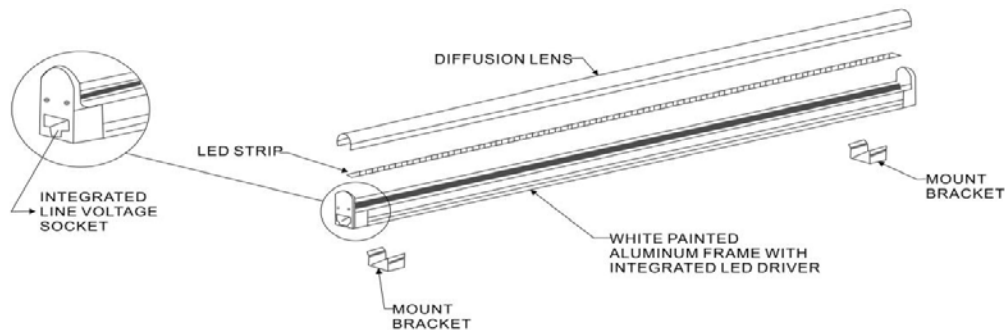
WATT	VOLT	CURRENT	MAX. INTERCONNECTED LAMPS
14	120V	0.115A	5

## INSTALLATION

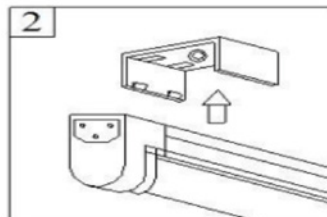
These units are suitable for mounting inside an open or closed cabinet.

The unit should be attached to a mounting surface such as metal or wood, and if attached to drywall, the screws shall penetrate the drywall and still allow 1/2 inch to penetrate stud.

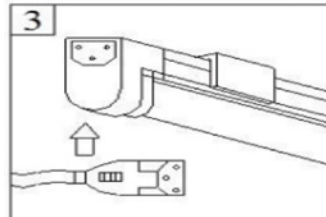
Due to the electronic Driver, the fixtures may sustain damage if connected to a power source which has spikes or surges in excess of 1000 volts. In the event of spike damage, the fixture is not repairable. Failure to use surge protection in problem areas will void the fixture warranty.



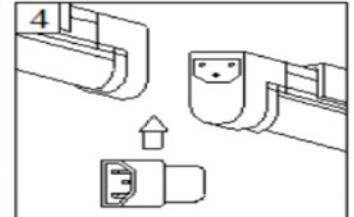
1. Attach mounting clips to desired surface with enclosed screws.



2. Snap or slide unit into the clips.



3. Connect power cord to input end of fixture, then connect to AC outlet.



4. Multiple units can be electrically interconnected using supplied Direct Connector or optional Connecting Cables.