



Item#: **91369**  
**LED PAR30 SHORT NECK**  
**LED LAMP**

The Superior life® LED lamp is an efficient way to light sockets once reserved for traditional lamps. They consume less energy, thereby significantly reducing operating costs. The superior life hours of this lamp make it ideal for hard to reach places, reducing maintenance.

**FEATURES**

- Superior lighting performance.
- Innovative and durable design that resembles traditional lighting.
- Replaces 75W Incandescent lamps.

**APPLICATION**

Ideal for indoor residential and commercial spaces, track lighting and recessed downlights.

**ELECTRICAL**

Wattage	13W
Voltage	120V
Current	112mA
Power Factor	>0.7

**LIGHTING PERFORMANCE**

Lumens	800
Lumens Per Watt (Lm/W)	62
Color Temperature (CCT)	4000K
Color Rendering (CRI)	92
Beam Angle	25°

Dimmable Lighting Control *Dimmable*  
 see compatibility report

**ENVIRONMENT**

Operating Temperature	-40° ~ 104°F
Suitable Location	<b>WET</b>
Ingress Protection Rating	N/A
Suitable Fixture Type	Open

**LIFESPAN**

Average Life (Hours)	25,000
Warranty (Years)	<b>3</b>

**COMPONENTS**

LED Light Source	N/A
------------------	-----

**CONSTRUCTION**

Housing	PC
Base / Power Supply	E26 - Medium
Finish	White

**QUALIFICATIONS**



Visit [www.energystar.gov](http://www.energystar.gov) to confirm qualification. • Published lumens on LED products are approximate and may vary slightly.

PERFORMANCE DATA

PACKAGING

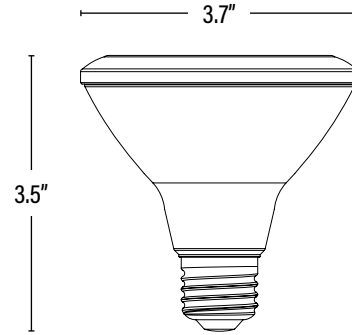
Item#: **91369**  
**LED PAR30 SHORT NECK**



**DIMENSIONS** (Inches)

Length (MOL)	3.5"
Width/Diameter (MOD)	3.7"
Weight (Lbs)	0.2

Line drawings may not be to scale and are for general reference only.



**SUPPORTING DOCUMENTS** (Grey = not available at this time.)

Product Sheet	VIEW
Dimmer Compatibility	VIEW

**PACKAGING**

		UPC	DIMENSIONS (LxWxH)	GROSS WEIGHT (Lbs)
Master Carton	24	10811768029854	16.9" x 9.3" x 12.8"	6.6
Individual Box	1	811768029857	--	0.3
Country of Origin	China			
HS Tariff	8539.50.0010			

**ORDERING**

ITEM#	DESCRIPTION	CASE
91369	LED I3PAR30/SN/40K/25°/DIMMABLE/V5 - SUPERIOR LIFE® ENERGY STAR®	24

**ADDITIONAL INFORMATION:**

Family Item: 91367/2700K • 91368/3000K • 91370/5000K

PERFORMANCE DATA

PACKAGING