

LED T8 DIRECT WIRE

INSTALL INSTRUCTIONS (BALLAST BYPASS - UL TYPE B)



PLEASE FIND A QUALIFIED ELECTRICIAN FOR INSTALLATION. Please read the instructions before you install and use the linear tube(s).

GENERAL: ALL ELECTRICAL CONNECTIONS MUST BE IN ACCORDANCE WITH LOCAL AND NATIONAL ELECTRICAL CODE (N.E.C.) STANDARDS. IF YOU ARE UNFAMILIAR WITH PROPER ELECTRICAL WIRING CONNECTIONS OBTAIN THE SERVICES OF A QUALIFIED ELECTRICIAN.

- **WARNING - Risk of fire or electric shock.** LED linear tube installation requires knowledge of luminaires electrical systems. If not qualified, do not attempt installation. Contact a qualified electrician.
- **WARNING - Risk of fire or electric shock.** Install these tubes only in luminaires that have the construction features and dimensions shown in the photographs and/or drawings and where the input rating of the retrofit kit does not exceed the input rating of the luminaire.
- **WARNING:** To prevent wiring damage or abrasion, do not expose wiring to edges of sheet metal or other sharp objects.
- **WARNING:** Do not make or alter any open holes in an enclosure of wiring or electrical components during kit installation.
- **WARNING:** To avoid potential fire or shock hazard, do not use this retrofit kit in luminaires employing shunted bi-pin lampholders. Note: Shunted lampholders are found only in fluorescent luminaires with Instant-Start ballasts. Instant-start ballasts can be identified by the words "Instant Start" or "I.S." marked on the ballast. This designation may be in the form of a statement pertaining to the ballast itself, or may be combined with the marking for the lamps with which the ballast is intended to be used, for example F40T12/IS. For more information, contact the LED luminaire retrofit kit manufacturer.
- Installers should not disconnect existing wires from lamp holder terminals to make new connections at lamp holder terminals. Instead installers should cut existing lamp holder leads away from the lamp holder and make new electrical connections to lamp holder lead wires by employing applicable connectors.
- **TYPE B LAMP** - intended for operation in luminaires with traditional fluorescent-type lampholders wired directly to the branch circuit. This includes both factory-wired luminaries as well as those converted for this purpose under a retrofit program.
- Only use the control provided with or specified by these instructions to control this lamp. This lamp will not operate properly when connected to a standard (incandescent) dimmer or dimming control. Dimmable only when used with special 0-10V system interface component, ETA Q1.
- The units covered by this report were intended to retrofit surface mount, Type IC or non-IC recessed mount listed fluorescent luminaires that use maximum 4 tubular lamps, the minimum lamp compartment dimensions are below:

ITEM #	WATTAGE	MINIMUM LAMP COMPARTMENT DIMENSIONS	LAMP QTY
91489	18W	47.8" L x 23.8" W x 3.0" H	4

This device complies with Part 15 of the FCC Rules. Operation is subject to the following two conditions: (1) this device may not cause harmful interference, and (2) this device must accept any interference received, including interference that may cause undesired operation.

THIS RETROFIT ASSEMBLY IS ACCEPTED AS A COMPONENT OF A LUMINAIRE WHERE THE SUITABILITY OF THE COMBINATION SHALL BE DETERMINED BY UL OR AUTHORITIES HAVING JURISDICTION.

THIS RETROFIT KIT INCLUDES; LED TUBE, OPERATING INSTRUCTIONS AND FIELD APPLIED LABEL

IMPORTANT SAFETY INSTRUCTIONS

- The end retrofit luminaire has been modified and can no longer operate the originally intended lamp.
- Caution-Risk of Electric Shock - Use in Dry and Damp Locations Only.
- Risk of Electric shock - Do Not Use Where Directly Exposed To Water.
- Suitable for use with 5W Emergency Battery Backup - #90405 (*Sold Separately*).

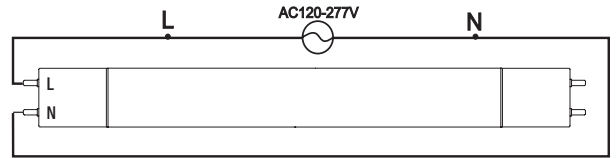
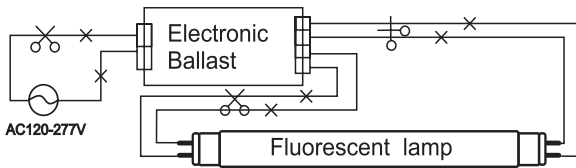
LED T8 DIRECT WIRE

INSTALL INSTRUCTIONS (BALLAST BYPASS - UL TYPE B)

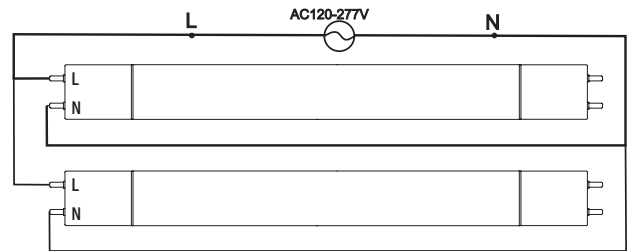
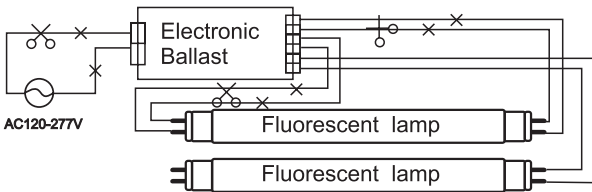
! WARNING DISCONNECT POWER BEFORE INSTALLING OR SERVICING.

SINGLE END WIRING INSTRUCTIONS

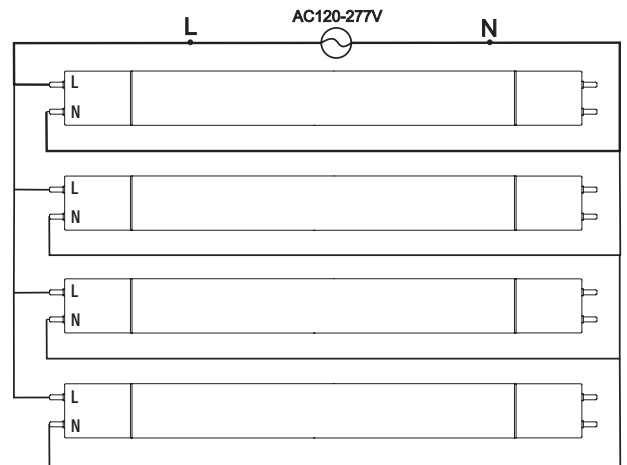
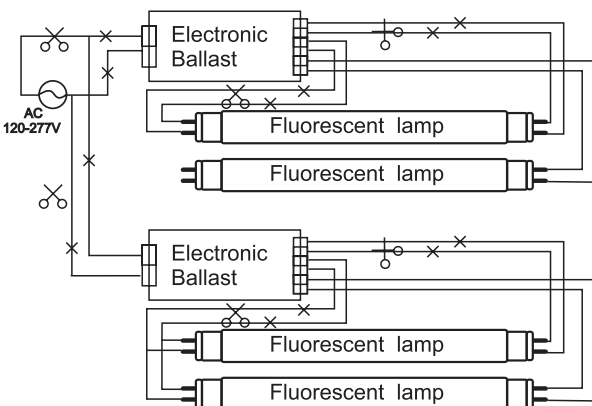
ELECTRONIC BALLAST - RETROFIT LUMINAIRE WITH ONE LAMP



ELECTRONIC BALLAST - RETROFIT LUMINAIRE WITH TWO LAMPS



ELECTRONIC BALLAST - RETROFIT LUMINAIRE WITH FOUR LAMPS



MAGNETIC BALLAST - RETROFIT LUMINAIRE WITH ONE LAMP

