



Item#: **91579**  
**LED HIGH WATTAGE 360° LAMP**  
 REPLACEMENT LAMPS FOR OUTDOOR POLE/ARM  
 MOUNTED DECORATIVE LUMINAIRES (TYPE B)

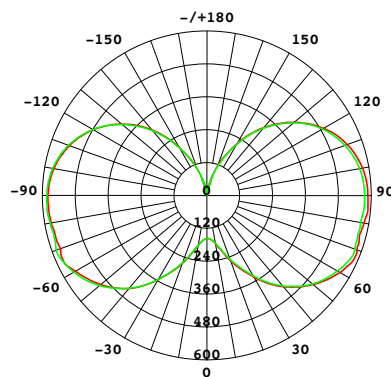
**FEATURES**

- Environmentally friendly; uses less energy than a traditional lamp.
- 360° optical design that provides even light distribution.
- High Voltage Surge Protection (6KV).
- Hollow heat sink for increased cooling air flow.
- High lumen output.
- Silicone gaskets.

**APPLICATION**

Replacement lamps for top post, high bays, parking lots and street lighting.

**LIGHT DISTRIBUTION CURVE**



**ELECTRICAL**

Wattage	45W
Voltage	120-277V
Current	0.45A
Power Factor	0.9
Total Harmonic Distortion (THD)	--

**LIGHTING PERFORMANCE**

Lumens	5850
Lumens Per Watt (Lm/W)	130
Color Temperature (CCT)	5000K
Color Rendering (CRI)	80
R9 (Red Value)	N/A
R13 (Skin Tones)	N/A
Beam Angle	360°
Light Distribution	Type VS
Dimmable Lighting Control	

**ENVIRONMENT**

Operating Temperature	-40° ~ 122°F
Suitable Location	<b>DAMP</b>
Ingress Protection Rating	IP63
Fixture Type	Enclosed

**LIFESPAN**

Average Life (Hours)	50,000
Warranty (Years)	<b>5</b>

**COMPONENTS**

LED Light Source	JuFei 2835
------------------	------------

**CONSTRUCTION**

Housing	Aluminum / PC
Lens	Clear
Base / Power Supply	E26 - Medium

**QUALIFICATIONS**



*Published lumens on LED products are approximate and may vary slightly.*

PERFORMANCE DATA

PACKAGING

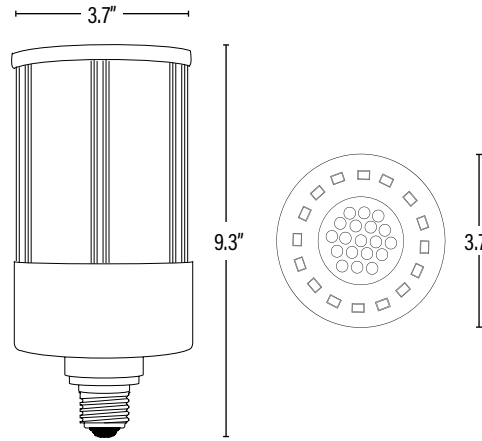
Item#: **91579**  
**LED HIGH WATTAGE 360° LAMP**



**DIMENSIONS** (Inches)

Length (MOL)	9.3"
Width/Diameter (MOD)	3.7"
Weight (Lbs)	2.1

Line drawings may not be to scale and are for general reference only.



**SUPPORTING DOCUMENTS** (Grey = not available at this time.)

Product Sheet	VIEW
Install Instructions	VIEW
IES Download from Web Item	VIEW
Photometric	VIEW
LM79	VIEW
LM80	VIEW

**PACKAGING**

		UPC	DIMENSIONS (LxWxH)	GROSS WEIGHT (Lbs)
Master Carton	12	10811768028499	18" x 13.5" x 12"	32.6
Individual Box	1	811768028492	4.3" x 4.3" x 11.2"	2.4
Country of Origin	China			
HS Tariff	9405.40.8200			

**ORDERING**

ITEM#	DESCRIPTION	CASE
91579	LED 45WT30/360°/CL/50K/MED/120-277V/V5 - SUPERIOR LIFE®	12

**ADDITIONAL INFORMATION:**

Family Item: 91693/3000K

TOP VIEW



PERFORMANCE DATA

PACKAGING