



Item#: **91581**
LED HIGH WATTAGE 360° LAMP
 REPLACEMENT LAMPS FOR OUTDOOR POLE/ARM
 MOUNTED DECORATIVE LUMINAIRES (TYPE B)

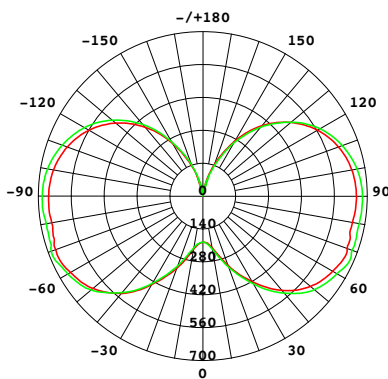
FEATURES

- Environmentally friendly; uses less energy than a traditional lamp.
- 360° optical design that provides even light distribution.
- High Voltage Surge Protection (6KV).
- Hollow heat sink for increased cooling air flow.
- High lumen output.
- Silicone gaskets.

APPLICATION

Replacement lamps for top post, high bays, parking lots and street lighting.

LIGHT DISTRIBUTION CURVE



ELECTRICAL

	ITEM	DLC WHOLE FIXTURE
Wattage		54W
Voltage		120-277V
Current		0.54A
Power Factor		0.9
Total Harmonic Distortion (THD)		12.7

LIGHTING PERFORMANCE

Lumens	7020	6273
Lumens Per Watt (Lm/W)	130	116
Color Temperature (CCT)		5000K
Color Rendering (CRI)		82
R9 (Red Value)		N/A
R13 (Skin Tones)		N/A
Beam Angle		360°
Light Distribution		Type VS
Dimmable Lighting Control		

ENVIRONMENT

Operating Temperature		-40° ~ 122°F
Suitable Location		DAMP
Ingress Protection Rating		IP63
Suitable Fixture Type		Enclosed

LIFESPAN

Average Life (Hours)		50,000
Warranty (Years)		5

COMPONENTS

LED Light Source		JuFei 2835
------------------	--	------------

CONSTRUCTION

Housing		Aluminum / PC
Lens		Clear
Base / Power Supply		E39 - Mogul

QUALIFICATIONS



Visit www.designlights.org/search to confirm qualification. • DLC lists watts and lumens efficacy of the whole fixture. • Published lumens on LED products are approximate and may vary slightly.

PERFORMANCE DATA

PACKAGING

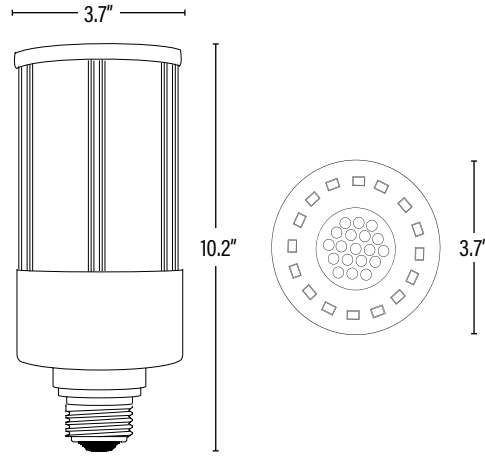
Item#: **91581**
LED HIGH WATTAGE 360° LAMP



DIMENSIONS (Inches)

Length (MOL)	10.2"
Width/Diameter (MOD)	3.7"
Weight (Lbs)	2.6

Line drawings may not be to scale and are for general reference only.



SUPPORTING DOCUMENTS (Grey = not available at this time.)

Product Sheet	VIEW
Install Instructions	VIEW
IES Download from Web Item	VIEW
Photometric	VIEW
LM79	VIEW
LM80	VIEW

PACKAGING

		UPC	DIMENSIONS (LxWxH)	GROSS WEIGHT (Lbs)
Master Carton	12	10811768028512	18" x 13.5" x 13"	34.6
Individual Box	1	811768028515	4.3" x 4.3" x 12.2"	2.8
Country of Origin	China			
HS Tariff	9405.40.8200			

ORDERING

ITEM#	DESCRIPTION	CASE
91581	LED 54WT30/360°/CL/50K/MOG/120-277V/V5 - SUPERIOR LIFE® DLC	12

ADDITIONAL INFORMATION:

Family Item: 91569/3000K

TOP VIEW



PERFORMANCE DATA

PACKAGING