



Item#: **91593**
**MICROWAVE MOTION SENSOR +
PHOTOCELL**
HIGH WATTAGE LAMP ACCESSORY

FEATURES

- Provides motion-based control with daylight threshold.
- Adjustable full brightness Hold Time after no motion.
- Adjustable Stand-By Brightness levels.

APPLICATION

Sensor is designed for specific PQL High Wattage lamps, featuring a compatible integrated sensor socket.

ELECTRICAL

Input Wattage	1.5W
Input Voltage	15VDC ± 2V
Input Current	0.1A
Output Voltage	0-10VDC
Output Current	0.02A

PERFORMANCE

Frequency	5.8GHz ± 75MHz
Sensing Angle (Vertical Installation)	120°
Detection Range	33ft
Photocell Activation	Approx. 300 Lux Daylight

ENVIRONMENT

Operating Temperature	-4° ~ 140°F
Suitable Location	DAMP Indoor Only
Ingress Protection Rating	IP20

LIFESPAN

Warranty (Years)	5
------------------	----------

CONSTRUCTION

Housing	PC
Mounting	Sensor Socket
Finish	White

QUALIFICATIONS



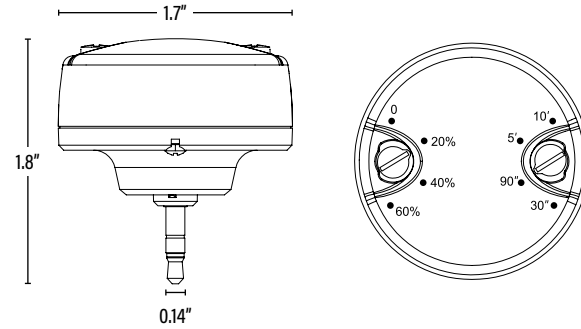
Specifications are subject to change without notice.

Item#: **91593**
MICROWAVE MOTION SENSOR + PHOTOCELL



DIMENSIONS (Inches)

Width/Diameter (MOD)	1.7"
Height	1.8"
Net Weight (Lbs)	0.05



SUPPORTING DOCUMENTS (Grey = not available at this time.)

Product Sheet	VIEW
Install Instructions	VIEW

PACKAGING		UPC	DIMENSIONS (LxWxH)	GROSS WEIGHT (Lbs)
Master Carton	100	10811768027416	9.8" x 9.8" x 8.1"	7
Individual Box	1	811768027419	1.8" x 1.8" x 1.8"	0.07
Country of Origin	China			
HS Tariff	--			

ORDERING

ITEM#	DESCRIPTION	CASE
91593	MICROWAVE MOTION SENSOR FOR 91592 LED HIGH BAY RETROFIT/33FT - 15VDC	100

ITEM INFORMATION