



Item#: **91594**
PIR MOTION SENSOR + PHOTOCELL
HIGH WATTAGE LAMP ACCESSORY

FEATURES

- Provides infrared motion-based control & daylight thresholds.
- Adjustable full brightness Hold Time after no motion.
- Adjustable Stand-By Brightness levels.

APPLICATION

Sensor is designed for specific PQL High Wattage lamps, featuring a compatible integrated sensor socket.

ELECTRICAL

Input Wattage	1.5W
Input Voltage	15VDC ± 2V
Input Current	0.1A
Output Voltage	0-10VDC
Output Current	0.02A

PERFORMANCE

Sensing Angle (Vertical Installation)	120°
Detection Range	19.7ft
Photocell Activation	Approx. 300 Lux Daylight

ENVIRONMENT

Operating Temperature	4° ~ 95°F
Suitable Location	DAMP Indoor Only
Ingress Protection Rating	IP20
Suitable Fixture Type	Open Only

LIFESPAN

Warranty (Years)	5
------------------	----------

CONSTRUCTION

Housing	PC
Mounting	Sensor Socket
Finish	White

QUALIFICATIONS



Specifications are subject to change without notice.

Item#: **91594**
PIR MOTION SENSOR + PHOTOCELL

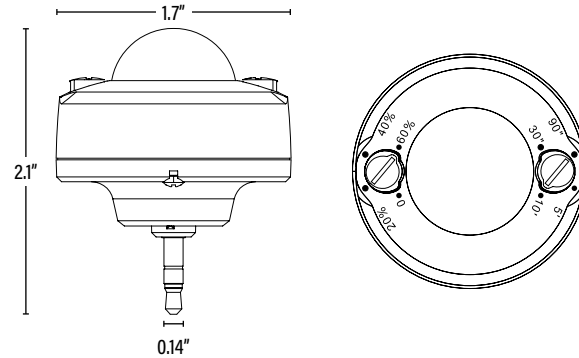


DIMENSIONS (Inches)

Width/Diameter (MOD)	1.7"
Height	2.1"
Net Weight (Lbs)	0.05

SUPPORTING DOCUMENTS (Grey = not available at this time.)

Product Sheet	VIEW
Install Instructions	VIEW



PACKAGING

		UPC	DIMENSIONS (LxWxH)	GROSS WEIGHT (Lbs)
Master Carton	100	10899645001643	9.8" x 9.8" x 9.4"	7
Individual Box	1	899645001646	1.8" x 1.8" x 2.2"	0.07
Country of Origin	China			
HS Tariff	--			

ORDERING

ITEM#	DESCRIPTION	CASE
91594	PIR SENSOR FOR 91592 LED HIGH BAY RETROFIT/19.7FT - 15VDC	100

ITEM INFORMATION