

PIR MOTION SENSOR + PHOTOCELL - 91594

OPERATING INSTRUCTIONS



PLEASE FIND A QUALIFIED ELECTRICIAN FOR INSTALLATION. Please read the instructions before you install the sensor and use the luminaire.

WARNING, CAUTIONS AND OPERATING INSTRUCTIONS

- To reduce the risk of death, personal injury or property damage from fire, electric shock, falling parts, cuts/abrasions, and other hazards read all warnings and instructions included with and on the luminaire box and all labels.
- Before installing, servicing, or performing routine maintenance, follow these general precautions.
- If you are unsure about the installation or maintenance, consult a qualified licensed electrician and check your local electrical code.
- Do not make or alter any open holes in an enclosure of wiring or electrical components during installation.
- Turn off electrical power at fuse or circuit breaker box before installation or performing any maintenance.
- Avoid direct eye exposure to the light source while it is on.

NOTE:

- Do not expose directly to water.
- Indoor use only.
- Not suitable for enclosed luminaires.
- Not for use in high vibration areas.
- One sensor required for each lamp.
- Set brightness and hold time before installing in the lamp.
- **For use only with specific PQL High Wattage lamps, with a compatible integrated sensor socket.**

! WARNING DISCONNECT POWER BEFORE INSTALLING OR SERVICING.

SENSOR INFORMATION

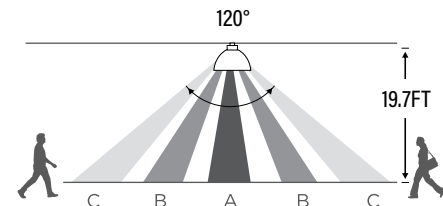
SPECIFICATIONS	
Input Voltage	15VDC ± 2V
Input Current	0.1A
Output Voltage	0-10VDC
Output Current	0.02A
Sensing Angle	120° (Vertical Installation)
Detection Range	19.7FT (6 Meters)
Standby Power Range	0%-60%
Illuminance	Around 300 Lux daylight
Operating Temperature	4° ~ 95°F
IP Rating	IP20 (Dry or Damp)

CEILING MOUNT

Top View



Side View



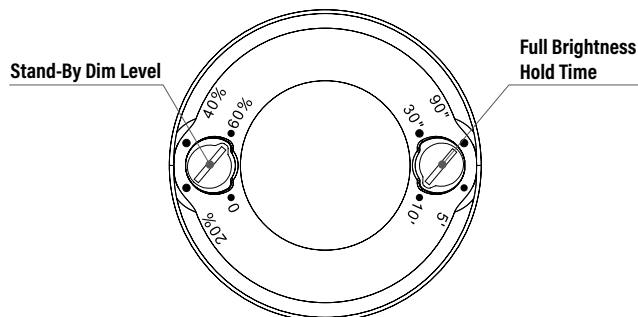
SETTINGS SELECTION

Stand-By Dim Level

Brightness output after hold time elapses: 0 / 20% / 40% / 60%

Hold Time at Full Brightness

Hold time after motion is no longer detected before going to stand-by level: 30s / 90s / 5 Min. / 10 Min.



PLUG IN THE SENSOR

Set brightness and hold time before installing in the lamp.

Warm Up: When powered on with the light switch, the sensor first goes through about a 20-25 second warm-up running the lamp at Full Brightness, and then after the 20-25 seconds the light switches to the set stand-by-level dim level until it senses motion. Once it senses motion, it uses the Full Brightness Hold Time setting.

