



Item#: **91752**
LED PAR38 LAMP
 REFLECTOR (NARROW FLOOD)

FEATURES

- Superior lighting performance.
- Energy efficient.
- Innovative and durable design that resembles traditional lighting.

APPLICATION

- Indoor residential and commercial spaces, track lighting and recessed downlights.

ELECTRICAL

Wattage	16.5W
Voltage	120V
Current	138mA
Power Factor	1.0

LIGHTING PERFORMANCE

Lumens	1200
Lumens Per Watt (Lm/W)	73
Color Temperature (CCT)	2700K
Color Rendering (CRI)	93
R9 (Red Value)	67
Beam Angle	25°

Dimmable Lighting Control *Dimmable*
 see compatibility report

ENVIRONMENT

Operating Temperature	-40° ~ 104°F
Suitable Location	WET
Ingress Protection Rating	N/A
Suitable Fixture Type	Enclosed

LIFESPAN

Average Life (Hours)	15,000
Warranty (Years)	3

COMPONENTS

LED Light Source	--
------------------	----

CONSTRUCTION

Housing	Aluminum / PC
Base / Power Supply	E26 - Medium
Finish	White

QUALIFICATIONS



Visit www.energystar.gov to confirm qualification. - Published lumens on LED products are approximate and may vary slightly.

PERFORMANCE DATA

PACKAGING

Item#: **91752**
LED PAR38 LAMP



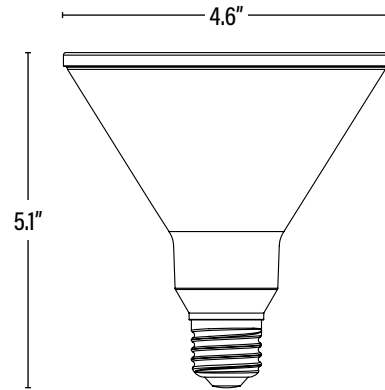
DIMENSIONS (Inches)

Length (MOL)	5.1"
Width/Diameter (MOD)	4.6"
Weight (Lbs)	0.5

Line drawings may not be to scale and are for general reference only.

SUPPORTING DOCUMENTS (Grey = not available at this time.)

Product Sheet	VIEW
Dimmer Compatibility	VIEW



PACKAGING

		UPC	DIMENSIONS (LxWxH)	GROSS WEIGHT (Lbs)
Master Carton	24	10811768029786	20" x 12.9" x 15.2"	12.1
Individual Box	1	811768029789	4.7" x 4.7" x 5.5"	0.5
Country of Origin	China			
HS Tariff	8539.50.0010			

ORDERING

ITEM#	DESCRIPTION	CASE
91752	LED 17WPAR38/27K/25°/DIMMABLE/V6 - SUPERIOR LIFE® ENERGY STAR®	24

ADDITIONAL INFORMATION:

Family Items: 91753/3000K - 91754/4000K - 91755/5000K

PERFORMANCE DATA

PACKAGING