



Item#: **91754**
LED PAR38 LAMP
 REFLECTOR (NARROW FLOOD)

FEATURES

- Superior lighting performance
- Energy efficient
- Innovative and durable design that resembles traditional lighting

APPLICATION

- Indoor residential and commercial spaces, track lighting and recessed downlights.

ELECTRICAL

Wattage	16.5W
Voltage	120V
Current	138mA
Power Factor	1.0
Total Harmonic Distortion (THD)	--

LIGHTING PERFORMANCE

Lumens	1200
Lumens Per Watt (Lm/W)	73
Color Temperature (CCT)	4000K
Color Rendering (CRI)	95
R9 (Red Value)	77
R13 (Skin Tones)	--
Beam Angle	25°
Light Distribution	--
Dimmable Lighting Control	<i>Dimmable</i> see compatibility report

ENVIRONMENT

Operating Temperature	-40° ~ 104°F
Suitable Location	WET
Ingress Protection Rating	N/A
Suitable Fixture Type	Enclosed

LIFESPAN

Average Life (Hours)	15,000
Warranty (Years)	3

COMPONENTS

LED Light Source	--
------------------	----

CONSTRUCTION

Housing	Aluminum / PC
Base / Power Supply	E26 - Medium
Finish	White

QUALIFICATIONS



Published lumens on LED products are approximate and may vary slightly. • Please check Energy Star website for the most current list of approved items • www.energystar.gov

PERFORMANCE DATA

PACKAGING

Item#: **91754**
LED PAR38 LAMP



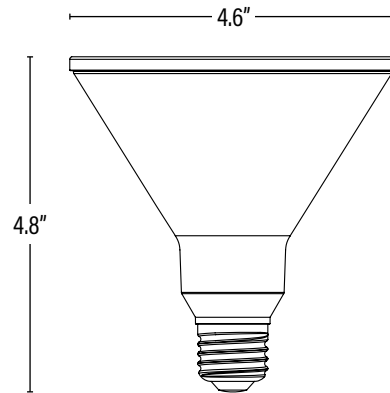
DIMENSIONS (Inches)

Length (MOL)	4.8"
Width/Diameter (MOD)	4.6"
Weight (Lbs)	--

Line drawings may not be to scale and are for general reference only.

SUPPORTING DOCUMENTS (Grey = not available at this time.)

Product Sheet	VIEW
Dimmer Compatibility	VIEW
IES Download from Web Item	VIEW
LM79	VIEW
LM80	VIEW



PACKAGING

		UPC	DIMENSIONS (LxWxH)	GROSS WEIGHT (Lbs)
Master Carton	24	--	--	--
Individual Box	1	--	4.7" x 4.7" x 5.5"	--
Country of Origin	China			
HS Tariff	9405.40.6000			

ORDERING

ITEM#	DESCRIPTION	CASE
91754	LED 17WPAR38/40K/25°/DIMMABLE/V6 - SUPERIOR LIFE® ENERGY STAR®	24

ADDITIONAL INFORMATION:

Family Items: 91752/2700K • 91753/3000K • 91755/5000K

PERFORMANCE DATA

PACKAGING