



Item#: **91758**
LED PAR38 LAMP
REFLECTOR (NARROW FLOOD)

FEATURES

- Superior lighting performance
- Energy efficient
- Innovative and durable design that resembles traditional lighting
- Ideal replacement for 120W traditional lamps


APPLICATION

Indoor residential and commercial spaces, track lighting and recessed downlights.

ELECTRICAL

Wattage	17W
Voltage	120-277V
Current	142-73mA
Power Factor	0.9

LIGHTING PERFORMANCE

Lumens	1200
Lumens Per Watt (LPW)	70
Color Temperature (CCT)	3000K
Color Rendering (CRI)	94
R9 (Red Value)	80
Beam Angle	25°
Dimmable Lighting Control	

ENVIRONMENT

Operating Temperature	-40° ~ 104°F
Suitable Location	WET
Ingress Protection Rating	N/A
Suitable Fixture Type	Enclosed

LIFESPAN

Average Life (Hours)	40,000
Warranty (Years)	3

COMPONENTS

LED Light Source	--
------------------	----

CONSTRUCTION

Housing	Aluminum / PC
Base / Power Supply	E26 - Medium
Finish	White

QUALIFICATIONS



Published lumens on LED products are approximate and may vary slightly. - Specifications are subject to change without notice.

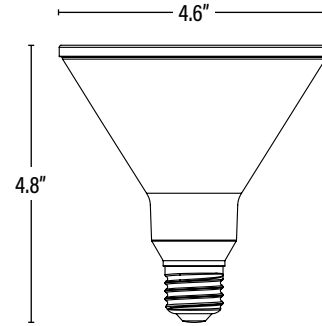
Item#: **91758**
LED PAR38 LAMP



ITEM INFORMATION

DIMENSIONS (Inches)

Length (MOL)	4.8"
Width/Diameter (MOD)	4.6"
Weight (Lbs)	0.2



PACKAGING

		UPC	DIMENSIONS (LxWxH)	GROSS WEIGHT (Lbs)
Master Carton	24	10811768027027	20" x 12.4" x 15.2"	12.1
Individual Box	1	811768027020	4.9" x 4.9" x 5.3"	0.5
Country of Origin	China			
HS Tariff	8539.50.0010			

ORDERING

ITEM#	DESCRIPTION	TITLE 20	CASE
91758	LED 17WPAR38/30K/25°/120-277V	No	24