



Item#: **91784**  
**LED MR16 LAMP**  
REFLECTOR (NARROW FLOOD)

**FEATURES**

- Superior lighting performance
- Energy efficient
- Innovative and durable design that resembles traditional lighting
- Title 24 - JA8 Compliant.

**APPLICATION**

- Indoor residential and commercial spaces, track lighting and recessed downlights.

**ELECTRICAL**

Wattage	7W
Voltage	12V
Current	540mA
Power Factor	0.9

**LIGHTING PERFORMANCE**

Lumens	500
Lumens Per Watt (LPW)	76
Color Temperature (CCT)	3000K
Color Rendering (CRI)	90
R9 (Red Value)	58
Beam Angle	35°
Dimmable Lighting Control	<i>Dimmable</i> see compatibility report

**ENVIRONMENT**

Operating Temperature	-4° ~ 113°F
Suitable Location	<b>DAMP</b>
Ingress Protection Rating	N/A
Suitable Fixture Type	Enclosed

**LIFESPAN**

Average Life (Hours)	25,000
Warranty (Years)	<b>3</b>

**COMPONENTS**

LED Light Source	--
------------------	----

**CONSTRUCTION**

Housing	Aluminum / PC
Base / Power Supply	GU5.3
Finish	White

**QUALIFICATIONS**



Visit [www.energystar.gov](http://www.energystar.gov) to confirm Energy Star qualification • Published lumens on LED products are approximate and may vary slightly. • Specifications are subject to change without notice.

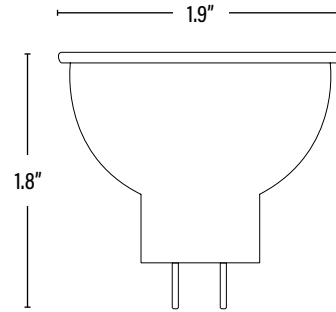
Item#: **91784**  
**LED MR16 LAMP**



ITEM INFORMATION

**DIMENSIONS** (Inches)

Length (MOL)	1.8"
Width/Diameter (MOD)	1.9"
Net Weight (Lbs)	--



**SUPPORTING DOCUMENTS** (Grey = not available at this time.)

Product Sheet	VIEW
Dimmer Compatibility	VIEW

**PACKAGING**

		UPC	DIMENSIONS (LxWxH)	GROSS WEIGHT (Lbs)
Master Carton	60	10811768029502	13.4" x 5.9" x 15.2"	5.5
Individual Box	1	811768029505	2" x 2" x 2.1"	0.1
Country of Origin	China			
HS Tariff	8539.50.0010			

**ORDERING**

ITEM#	DESCRIPTION	TITLE 20	TITLE 24	CASE
91784	LED 7WMR16/30K/35°/DIMM/12V/GU5.3 - <b>ENERGY STAR®</b>	Yes	Yes	12

**ADDITIONAL INFORMATION:**

Family Item(s): 91785/5000K