



Item#: **91785**
LED MR16 LAMP
REFLECTOR (NARROW FLOOD)

FEATURES

- Superior lighting performance
- Energy efficient
- Innovative and durable design that resembles traditional lighting

APPLICATION

- Indoor residential and commercial spaces, track lighting and recessed downlights.

ELECTRICAL

Wattage	7W
Voltage	12V
Current	540mA
Power Factor	0.9

LIGHTING PERFORMANCE

Lumens	500
Lumens Per Watt (LPW)	76
Color Temperature (CCT)	5000K
Color Rendering (CRI)	94
R9 (Red Value)	80
Beam Angle	35°
Dimmable Lighting Control	<i>Dimmable</i> see compatibility report

ENVIRONMENT

Operating Temperature	-4° ~ 113°F
Suitable Location	DAMP
Ingress Protection Rating	N/A
Suitable Fixture Type	Enclosed

LIFESPAN

Average Life (Hours)	25,000
Warranty (Years)	3

COMPONENTS

LED Light Source	--
------------------	----

CONSTRUCTION

Housing	Aluminum / PC
Base / Power Supply	GU5.3
Finish	White

QUALIFICATIONS



Published lumens on LED products are approximate and may vary slightly. - Specifications are subject to change without notice.

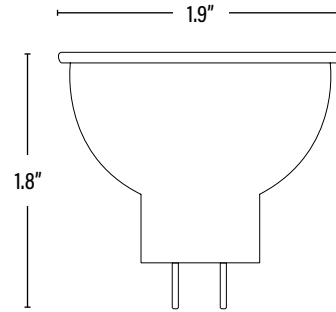
Item#: **91785**
LED MR16 LAMP



ITEM INFORMATION

DIMENSIONS (Inches)

Length (MOL)	1.8"
Width/Diameter (MOD)	1.9"
Net Weight (Lbs)	--



PACKAGING

		UPC	DIMENSIONS (LxWxH)	GROSS WEIGHT (Lbs)
Master Carton	60	10811768028123	13.4" x 5.9" x 15.2"	5.5
Individual Box	1	811768028126	2" x 2" x 2"	0.1
Country of Origin	China			
HS Tariff	8539.50.0010			

ORDERING

ITEM#	DESCRIPTION	TITLE 20	CASE
91785	LED 7WMR16/50K/35°/DIMM/12V/GU5.3	Yes	60