

# LED T5 SUPER HYBRID - 12W / 24W

## INSTALL INSTRUCTIONS (UL TYPE A & B)

**PLEASE USE A QUALIFIED ELECTRICIAN FOR INSTALLATION.** Read the instructions before installing or use of the luminaire.

**GENERAL:** ALL ELECTRICAL CONNECTIONS MUST BE IN ACCORDANCE WITH LOCAL AND NATIONAL ELECTRICAL CODE (N.E.C.) STANDARDS. IF YOU ARE UNFAMILIAR WITH PROPER ELECTRICAL WIRING CONNECTIONS OBTAIN THE SERVICES OF A QUALIFIED ELECTRICIAN. REMOVE THE TRIM FROM THE BOX AND MAKE SURE THAT NO PARTS ARE MISSING. THIS RETROFIT KIT IS ACCEPTED AS A COMPONENT OF A LUMINAIRE WHERE THE SUITABILITY OF THE COMBINATION SHALL BE DETERMINED BY AUTHORITIES HAVING JURISDICTION.

- **WARNING** - Risk of fire or electric shock. LED linear tube installation requires knowledge of luminaires electrical systems. If not qualified, do not attempt installation. Contact a qualified electrician.
- **WARNING** - Risk of fire or electric shock. Install these tubes only in luminaires that have the construction features and dimensions shown in the photographs and/or drawings and where the input rating of the retrofit kit does not exceed the input rating of the luminaire.
- **WARNING** - Do not make or alter any open holes in an enclosure of wiring or electrical components during kit installation.
- **WARNING** - To prevent wiring damage or abrasion, do not expose wiring to edges of sheet metal or other sharp objects.
- Installers should not disconnect existing wires from lampholder terminals to make new connections at lampholder terminals. Instead installers should cut existing lampholder leads away from the lampholder and make new electrical connections to lampholder lead wires by employing applicable connectors.
- For a linear tubular LED lamp conversion, there shall be text or a diagram showing how the supply connections were made to the lampholders so the correct connections will be made to the lamp when the lamp is installed or replaced.

### SAFETY INFORMATION

- Check the lamp before installation, if there is any damage caused during shipping, do not install.
- Do not stare directly at the light source for long periods of time, do not shine into others eyes.
- Risk of electrical shock - Only replace with same type of LED tube.
- Do not use where directly exposed to water or weather.
- Suitable for dry or damp locations.
- Operating Temperature: -4°F to 113°F
- Do not open - No user serviceable parts inside.
- Not suitable for use with standard (incandescent) dimmer or dimming control. Only use the control provided with or specified by these instructions to control this lamp.

### OPERATIONAL MODES

**Mode I:** Direct replacement (UL Type A), Plug & Go™, compatible with most electronic ballasts, see ballast compatibility list.

**Mode II:** Direct wire (UL Type B), ballast bypass, directly connects to line voltage: 120-277VAC - 50/60Hz, single or double ended, see wiring diagrams.

## MODE I: DIRECT REPLACEMENT (Plug & Go™) INSTRUCTIONS

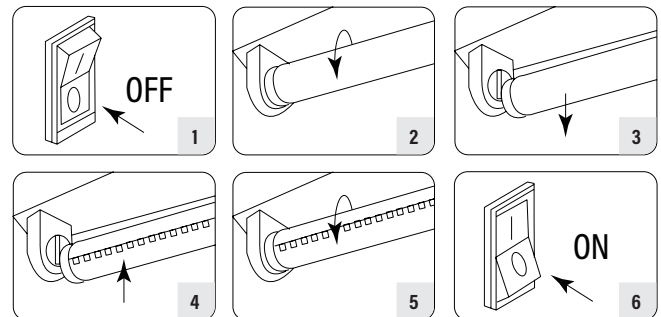


**WARNING DISCONNECT POWER BEFORE INSTALLING OR SERVICING.**

TYPE A LAMP (Fig. A) - intended for direct substitution of fluorescent lamp and operation from the integral ballast without any modifications to the fluorescent luminaire.

### INSTALLATION

1. Make sure power is OFF.
2. Remove lens or diffuser (if applicable).
3. Remove existing fluorescent lamps from the luminaire. **Note:** Verify that the fluorescent tube type is listed on the LED lamp label. Check ballast compatibility list before installation, ballast compatibility list can be found at: [www.pqlighting.com](http://www.pqlighting.com) under the item number.
4. Bring LED lamp to luminaire and insert lamp pins into luminaire lampholders.
5. Rotate LED lamp until lamp locks in place. Ensure that the LED lamp front points away from the back of the luminaire.
6. Place lens or diffuser back in place (if applicable).
7. Turn power on.



## Mode II: DIRECT WIRE (Bypass) INSTRUCTIONS



**WARNING DISCONNECT POWER BEFORE INSTALLING OR SERVICING.**

TYPE B LAMP - intended for operation in luminaires with traditional fluorescent-type lampholders wired directly to the branch circuit. This includes both factory-wired luminaires as well as those converted for this purpose under a retrofit program.

### INSTALLATION

1. Make sure power is OFF.
2. Remove lens or diffuser (if applicable).
3. Remove existing fluorescent lamps from the luminaire.
4. Rewire fixture to bypass fluorescent ballast. Use wiring diagrams for typical configuration. The actual ballast wiring varies according to the ballast model.
5. After wiring modification is complete, place CAUTION label included with this kit in a location where it is visible to installers. Fixture has been modified to operate LED Lamps and can no longer operate fluorescent lamps.
6. Rotate LED lamp until lamp locks in place. Ensure that the LED lamp front points away from the back of the luminaire.
7. Place lens or diffuser back in place (if applicable).
8. Turn power on.

# LED T5 SUPER HYBRID - 12W / 24W

## INSTALL INSTRUCTIONS (UL TYPE A & B)

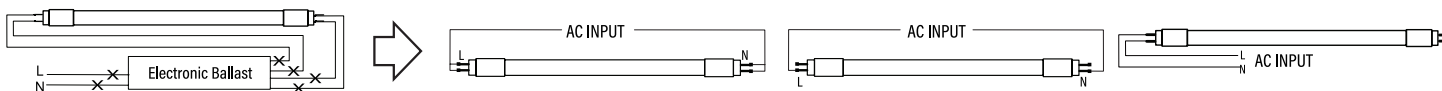
### Mode II: DIRECT WIRE (Bypass) INSTRUCTIONS



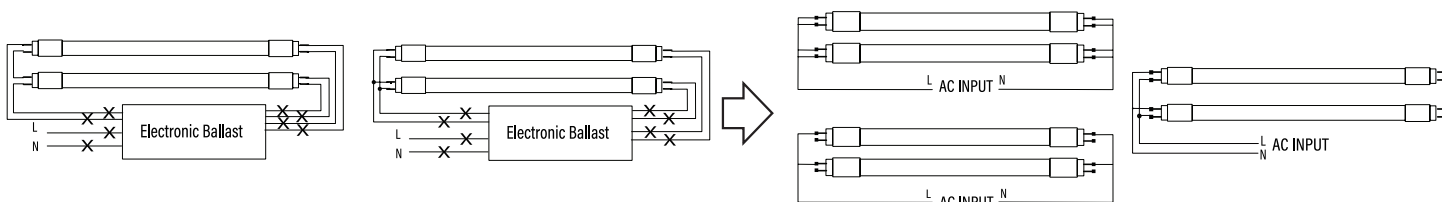
**WARNING DISCONNECT POWER BEFORE INSTALLING OR SERVICING.**

The below ballast wiring represents typical configuration. The actual ballast wiring varies according to the ballast model. It is not a requirement to change the sockets (if in good condition) to operate double ended tubes, regardless of the socket type. Please make sure one side of the fixture is connected to Live (L) and the other side to Neutral (N).

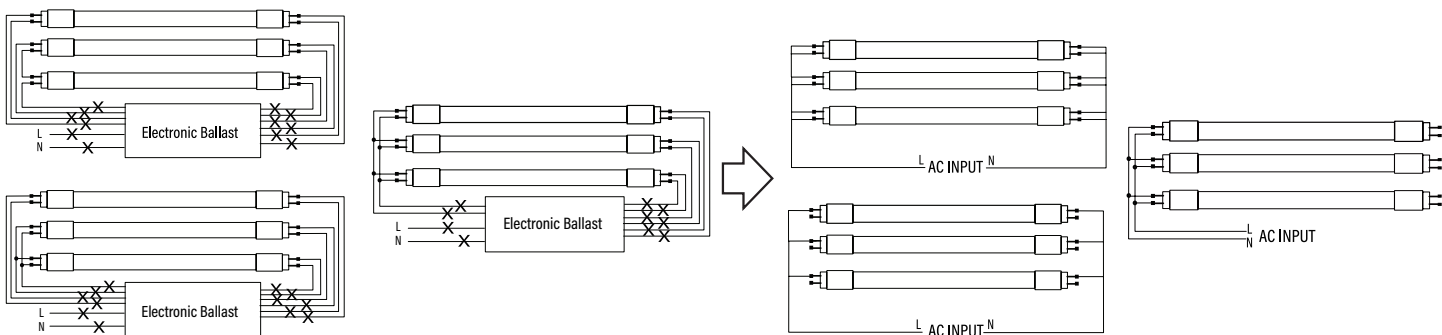
#### RETROFIT LUMINAIRE WITH ONE LAMP



#### RETROFIT LUMINAIRE WITH TWO LAMPS



#### RETROFIT LUMINAIRE WITH THREE LAMPS



#### RETROFIT LUMINAIRE WITH FOUR LAMPS

