



Item#: **91942**  
**LED PAR38 LAMP**  
REFLECTOR (NARROW FLOOD)

**FEATURES**

- Superior lighting performance
- Energy efficient
- Innovative and durable design that resembles traditional lighting
- UL 94 V-0: Shatter-resistant, flame-resistant polycarbonate lens
- Ideal replacement for 90W traditional lamps
- Title 24 - JA8 Compliant

**APPLICATION**

Indoor residential and commercial spaces, track lighting and recessed downlights.

**ELECTRICAL**

|              |       |
|--------------|-------|
| Wattage      | 15W   |
| Voltage      | 120V  |
| Current      | 130mA |
| Power Factor | >0.9  |

**LIGHTING PERFORMANCE**

|                           |   |
|---------------------------|---|
| Lumens                    | 1250  |
| Lumens Per Watt (LPW)     | 83  |
| Color Temperature (CCT)   | 2700K                                       |
| Color Rendering (CRI)     | 90  |
| R9 (Red Value)            | --  |
| Beam Angle                | 40°   |
| Dimmable Lighting Control | <i>Dimmable</i><br>see compatibility report |

**ENVIRONMENT**

|                           |             |
|---------------------------|-------------|
| Operating Temperature     | -4° ~ 104°F |
| Suitable Location         | <b>WET</b>  |
| Ingress Protection Rating | N/A         |
| Suitable Fixture Type     | Enclosed    |

**LIFESPAN**

|                      |          |
|----------------------|----------|
| Average Life (Hours) | 25,000   |
| Warranty (Years)     | <b>3</b> |

**COMPONENTS**

|                  |    |
|------------------|----|
| LED Light Source | -- |
|------------------|----|

**CONSTRUCTION**

|                     |               |
|---------------------|---------------|
| Housing             | Aluminum / PC |
| Base / Power Supply | E26 - Medium  |
| Finish              | White         |

**QUALIFICATIONS**



*Published lumens on LED products are approximate and may vary slightly. - Specifications are subject to change without notice.*

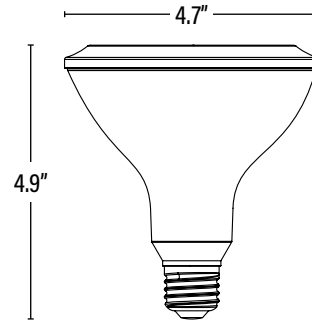
Item#: **91942**  
**LED PAR38 LAMP**



ITEM INFORMATION

**DIMENSIONS** (Inches)

|                      |      |
|----------------------|------|
| Length (MOL)         | 4.9" |
| Width/Diameter (MOD) | 4.7" |
| Weight (Lbs)         | --   |



**SUPPORTING DOCUMENTS** (Grey = not available at this time.)

|                      |      |
|----------------------|------|
| Product Sheet        | VIEW |
| Dimmer Compatibility | VIEW |

| PACKAGING         |              | UPC            | DIMENSIONS (LxWxH)   | GROSS WEIGHT (Lbs) |
|-------------------|--------------|----------------|----------------------|--------------------|
| Master Carton     | 24           | 10899645001414 | 19.6" x 14.8" x 3.5" | 11                 |
| Individual Box    | 1            | 899645001417   | 4.8" x 4.8" x 5.3"   | 0.5                |
| Country of Origin | China        |                |                      |                    |
| HS Tariff         | 8539.50.0010 |                |                      |                    |

**ORDERING**

| ITEM# | DESCRIPTION               | TITLE 20 | TITLE 24 | CASE |
|-------|---------------------------|----------|----------|------|
| 91942 | LED 15WPAR38/27K/40°/DIMM | No       | Yes      | 24   |

**ADDITIONAL INFORMATION:**

Family Item(s): 91943/3000K · 91944/4000K · 91945/5000K