



Item#: **91944**
LED PAR38 LAMP
REFLECTOR (NARROW FLOOD)

FEATURES

- Superior lighting performance
- Energy efficient
- Innovative and durable design that resembles traditional lighting
- UL 94 V-0: Shatter-resistant, flame-resistant polycarbonate lens
- Ideal replacement for 90W traditional lamps
- Title 24 - JA8 Compliant

APPLICATION

Indoor residential and commercial spaces, track lighting and recessed downlights.

ELECTRICAL

Wattage	15W
Voltage	120V
Current	130mA
Power Factor	>0.9

LIGHTING PERFORMANCE

Lumens	1250
Lumens Per Watt (LPW)	83
Color Temperature (CCT)	4000K
Color Rendering (CRI)	95
R9 (Red Value)	61
Beam Angle	40°
Dimmable Lighting Control	<i>Dimmable</i> see compatibility report

ENVIRONMENT

Operating Temperature	-4° ~ 104°F
Suitable Location	WET
Ingress Protection Rating	N/A
Suitable Fixture Type	Enclosed

LIFESPAN

Average Life (Hours)	25,000
Warranty (Years)	3

COMPONENTS

LED Light Source	--
------------------	----

CONSTRUCTION

Housing	Aluminum / PC
Base / Power Supply	E26 - Medium
Finish	White

QUALIFICATIONS

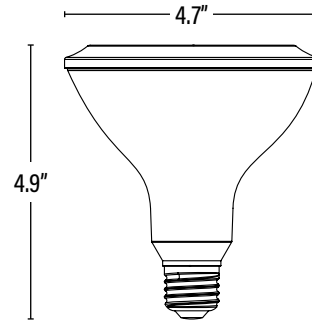


Visit www.energystar.gov to confirm Energy Star qualification • Published lumens on LED products are approximate and may vary slightly. • Specifications are subject to change without notice.

Item#: **91944**
LED PAR38 LAMP

DIMENSIONS (Inches)

Length (MOL)	4.9"
Width/Diameter (MOD)	4.7"
Weight (Lbs)	--



SUPPORTING DOCUMENTS (Grey = not available at this time.)

Product Sheet	VIEW
Dimmer Compatibility	VIEW

PACKAGING		UPC	DIMENSIONS (LxWxH)	GROSS WEIGHT (Lbs)
Master Carton	24	10811768025863	19.6" x 14.8" x 3.5"	11
Individual Box	1	811768025866	4.8" x 4.8" x 5.3"	0.5
Country of Origin	China			
HS Tariff	8539.50.0010			

ORDERING

ITEM#	DESCRIPTION	TITLE 20	TITLE 24	CASE
91944	LED 15WPAR38/40K/40°/DIMM - ENERGY STAR®	Yes	Yes	24

ADDITIONAL INFORMATION:

Family Item(s): 91942/2700K • 91943/3000K • 91945/5000K