



Item#: **92001**
HALOGEN PAR38 LAMP
REFLECTOR (FLOOD)

Superior Life® Enviro-Lume™ Halogen lamps are an energy efficient alternative to the standard halogen. They are engineered with the latest technology in filament design to deliver the longest lasting halogen par lamps on the market.

FEATURES

- Uniform beam without hot spots
- Optimized lumen output
- Up to 40% longer life

APPLICATION

Replaces standard 50W Halogen lamps, used for landscape and retail lighting.

DIMENSIONS (Inches)

Length (MOL)	5.1"
Width/Diameter (MOD)	4.8"
Net Weight (Lbs)	--

SUPPORTING DOCUMENTS

Product Sheet	VIEW
---------------	------

PACKAGING

Master Carton	15
Individual Box	1
Country of Origin	China
HS Tariff	8539.21.4040

ORDERING

ITEM#	DESCRIPTION	TITLE 20	CASE
92001	38PAR38/FLOOD - ENVIRO-LUME™	No	15

ELECTRICAL

Wattage	38W
Voltage	120V

LIGHTING PERFORMANCE

Lumens	550
Lumens Per Watt (LPW)	14
Color Temperature (CCT)	3000K
Dimmable Lighting Control	<i>Dimmable</i>

LIFESPAN

Average Life (Hours)	1,500
Warranty (Years)	1

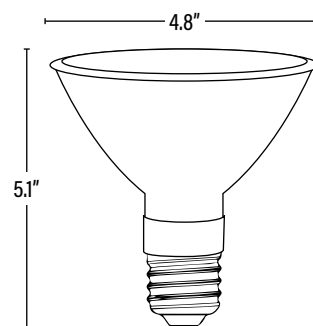
CONSTRUCTION

Housing	Aluminum / Glass
Base / Power Supply	E26 - Medium
Finish	Silver

QUALIFICATIONS

Ⓢ EISA Compliant (Meets US Min. Efficiency standards)	Yes
---	-----

Published lumens are approximate and may vary slightly. - Specifications are subject to change without notice.



UPC

DIMENSIONS (LxWxH)

GROSS WEIGHT (Lbs)

Master Carton	15	--	23.2" x 14.2" x 6.5"	12.8
Individual Box	1	811768021417	--	0.9