



SELECTABLE
COLOR
TEMPERATURE

Item#: **92150**
LED 4" TONE-SELECT™ RETROFIT CAN
INDOOR FIXTURE

FEATURES

- Adjustable color temperature for custom lighting application.
- Energy efficient: save up to 80% in energy costs
- No flickering or noise.
- Instant-On.

APPLICATION

Ideal for retrofitting inefficient fixtures in malls, hospitals, airports, offices, lobbies and other commercial applications.

ELECTRICAL

Wattage	10W
Voltage	120V
Current	0.10A
Power Factor	0.9
Total Harmonic Distortion (THD)	--

LIGHTING PERFORMANCE

Lumens	650 / 680 / 680 / 689 / 685
Lumens Per Watt (LPW)	65 / 68 / 68 / 70 / 69
Color Temperature (CCT)	27K / 30K / 35K / 40K / 50K
Color Rendering (CRI)	90
R9 (Red Value)	50
R13 (Skin Tones)	--
Beam Angle	106°
Light Distribution	Type VS
BUG Rating (Backlight, Uplight, and Glare)	B1 - U1 - G0
Dimmable Lighting Control	<i>Dimmable</i> see compatibility report

ENVIRONMENT

Operating Temperature	-4° ~ 104°F
Suitable Location	WET Indoor / Covered Ceilings
Ingress Protection Rating	IP43

LIFESPAN

Average Life (Hours)	50,000
Warranty (Years)	5

COMPONENTS

LED Light Source	Smalite
------------------	---------

CONSTRUCTION

Housing	Aluminum / PC
Base / Power Supply	E26 - Medium
Finish	White

QUALIFICATIONS



Visit www.energystar.gov to confirm Energy Star qualification • Published lumens on LED products are approximate and may vary slightly. • Specifications are subject to change without notice.

Item#: **92150**
LED 4" TONE-SELECT™ RETROFIT CAN



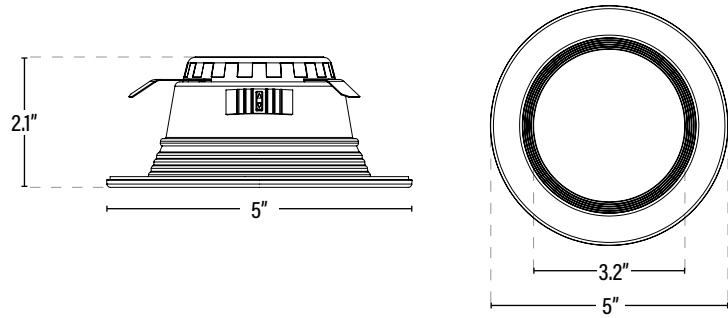
ITEM INFORMATION

DIMENSIONS (Inches)

Length (MOL)	2.1"
Width/Diameter (MOD)	5"
Net Weight (Lbs)	--

SUPPORTING DOCUMENTS (Grey = not available at this time.)

Product Sheet	VIEW
Install Instructions	VIEW
Dimmer Compatibility	VIEW
IES Download from Web Item	VIEW
LM79	VIEW
LM80	VIEW



PACKAGING

		UPC	DIMENSIONS (LxWxH)	GROSS WEIGHT (Lbs)
Master Carton	12	10811768026686	--	--
Individual Box	1	811768026689	5.3" x 2.3" x 5.3"	--
Country of Origin	China			
HS Tariff	8539.50.0010			

ORDERING

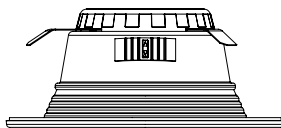
ITEM#	DESCRIPTION	TITLE 20	CASE
92150	LED 4IN TONE-SELECT™ RETROFIT CAN/10W/27-50K/DIMM/120V/MED - ENERGY STAR®	--	12

ACCESSORIES

90905-QC	CONNECTOR FOR GU24 BASE ON 4" AND 5"/6" LED RETROFIT CAN		1
----------	--	--	---

ADDITIONAL INFORMATION:

- Using the CCT slider on side of the retrofit can, select the desired color temperature prior to installation. See below:



SIDE VIEW