

# ARROWAY<sup>®</sup>

4 PANEL | LINEAR HIGH BAY

## OVERVIEW

### Lumens

Delivers up to 152 lumens per watt

### CRI

83

### CCT

4000K, 5000K

### Voltage

120-277V

### Dimming

0-10V dimming standard

### Operating Temperature

-13°F ~ 113°F

### Projected Lifetime

>50,000 Hours

### Standard Finish

White

### Customization

Integrated Sensor Option (ISO)



The Arroway™ [air-oh-way] is a low-profile linear high bay luminaire renowned for its top-end performance and modern design. Featuring adjustable wattage, it allows users to customize output while maintaining energy efficiency. With high lumen output, it ensures abundant and evenly distributed illumination, perfect for essential brightness and coverage in high-ceiling environments.

### Features

- Selectable wattage and CCT to your preferences for personalized lighting.
- Premium Performance: enhancing visibility and productivity in any environment.
- Premium Build: durable aluminum with a refined powder coat finish, our fixtures ensure long-lasting quality.
- Upgrade with an integrated sensor option for improved energy efficiency and automated control.
- V-hook hangers and chain are included for installation.



## BUILD WORKSHEET

Contact sales representative to order.

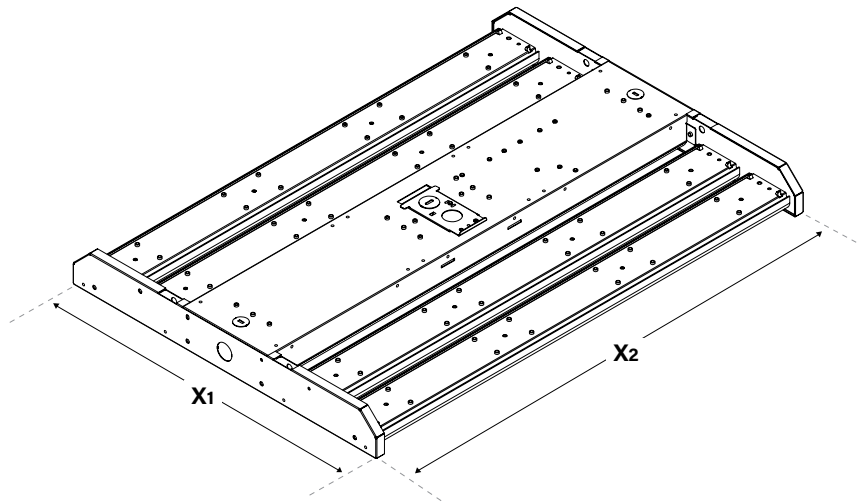
AY42	2	P175	3C	U	W		
SERIES*	SIZE	OUTPUT	CCT	VOLTAGE	FINISH	SENSOR <i>Factory Installed</i>	WARRANTY
AY42 Arroway™ Linear High Bay - 4 Panel	2FT	P175 Selectable: 140W, 160W, 175W*	3C Selectable: 3500K, 4000K, 5000K*	U 120-277V	W White	P PIR Sensor (54871)  M Microwave Sensor (54872)  Blank None	10 10-Year Option  Blank 5-Year Standard

\* Fixture comes set/standard at highest wattage, 5000K.  
 † 5 Year Warranty is Standard unless specified.

### ACCESSORIES (Ordered separately for field installation)

54871	BI-LEVEL PIR MOTION & DAYLIGHT SCREW-IN SENSOR/40FT
54872	BI-LEVEL MICROWAVE MOTION & DAYLIGHT SCREW-IN SENSOR/40FT

## DIMENSIONS



Size	
Length - X1	25.5"
Width - X2	18.1"
Height	2.1"



**Quick-Ship Program** Select sizes, finishes and configurations in stock, and ready to ship.  
 DLC® Visit <https://designlights.org/qpl> to confirm qualification.

## PERFORMANCE DETAILS

Electrical	
Wattage (Selectable)	140W / 160W / 175W
Voltage	120-277V - 50/60Hz
Current	175W @ 120V = 1.45A
Power Factor	0.9
Total Harmonic Distortion (THD)	20
Optical	
Lumens	21280 / 24320 / 26600
Lumen Per Watt (LPW)	152
Color Temperature (Selectable)	3500K / 4000K / 5000K
Color Rendering (CRI)	83
Beam Angle	110° Standard
Dimming	From optional 12VDC sensor, or customer 0-10V controls.
Environment	
Operating Temperature	-13°F ~ 113°F
Suitable Location	Indoors, Dry and Damp
IP Rating	IP20
Construction	
LED Chip	Lumileds
Driver	BQ-200B2-260-AD
Sensor Socket	12VDC AUX.
Housing	Die-Form GS
Lens	PC/ Frosted
Finish	White
Listings	
Model Number	AY422P1753CU(Y)-[Blank,P,M]-[Blank,E]
Qualifications	cUL, DLC® Premium
Warranty	
Years	5-Year Standard, 10-Year Optional
<i>Default settings; highest wattage, 5000K. • Published lumens on LED products are approximate and may vary slightly.</i>	

SENSOR



**BI-LEVEL PIR MOTION & DAYLIGHT SENSOR** (Option P - #54871)

- Provides multi-level control based on motion and/or daylight contribution.
- Controls 0-10V DC LED drivers.
- 360° detection range.
- Adjustable light levels and stand-by time.
- All control parameters are adjustable by using the RC-100 remote (sold separately).

**Factory Default Settings:** Sensitivity set to 100%. Hold on time 5 minutes. Daylight sensor is disabled (Set at ☼). Dimming level at 30%. Dimming time at 60 minutes.



**BI-LEVEL MICROWAVE MOTION & DAYLIGHT SENSOR** (Option M - #54872)

- Provides multi-level control based on motion and/or daylight contribution.
- Slim, low-profile.
- 360° detection range.
- Adjustable light levels and stand-by time.
- All control parameters are adjustable by using the RC-100 remote (sold separately).

**Factory Default Settings:** Sensitivity set to 100%. Hold on time 5 minutes. Daylight sensor is disabled (Set at ☼). Dimming level at 30%. Dimming time at 60 minutes.