

SPEC-SELECT™ SURFACE MOUNT PANEL - BLSS1

INSTALLATION INSTRUCTIONS



PLEASE USE A QUALIFIED ELECTRICIAN FOR INSTALLATION. Read the instructions before installing or use of the luminaire.

WARNING, CAUTIONS AND OPERATING INSTRUCTIONS

- To reduce the risk of death, personal injury or property damage from fire, electric shock, falling parts, cuts/abrasions, and other hazards read all warnings and instructions included with and on the fixture box and all fixture labels.
- Before installing, servicing, or performing routine maintenance upon this equipment, follow these general precautions.
- Commercial installation, service and maintenance of luminaires should be performed by a qualified licensed electrician.
- For the installation: If you are unsure about the installation or maintenance of the luminaires, consult a qualified licensed electrician and check your local electrical code.
- To prevent wiring damage or abrasion, do not expose wiring to edges of sheet metal or other sharp objects.
- Do not make or alter any open holes in an enclosure of wiring or electrical components during kit installation.

WARNING: RISK OF FIRE OR ELECTRICAL SHOCK

- Turn off electrical power at fuse or circuit breaker box before wiring fixture to the power supply.

- Turn off the power when you perform any maintenance.
- Verify that supply voltage is correct by comparing it with the luminaire label information.
- Make all electrical and grounded connections in accordance with the National Electrical Code and any applicable local code requirements.
- All wiring connections should be capped with UL approved wire connectors.

CAUTION: RISK OF INJURY

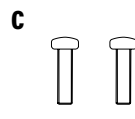
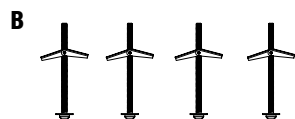
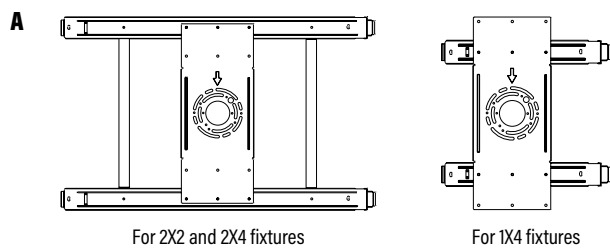
- Avoid direct eye exposure to the light source while it is on.
- Account for small parts and destroy packing material, as these may be hazardous to children.
- Green ground screw is provided in the proper location. DO NOT RELOCATE.
- Minimum 90°C supply conductors.
- Suitable for Dry or Damp locations, Type IC.
- Ambient Operating Temperature Range: -4°F ~ 113°F.

GENERAL INFORMATION



WARNING DISCONNECT POWER BEFORE INSTALLING OR SERVICING.

KIT INCLUDES



A: Mounting Bracket

B: Toggle Bolt (4 ea.)

C: Screw (2 ea.)

EQUIPMENT NEEDED



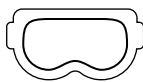
Ladder



Power Drill

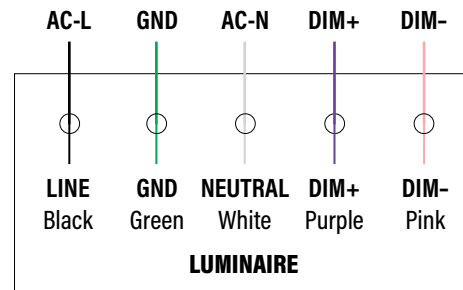


Gloves



Safety Goggles

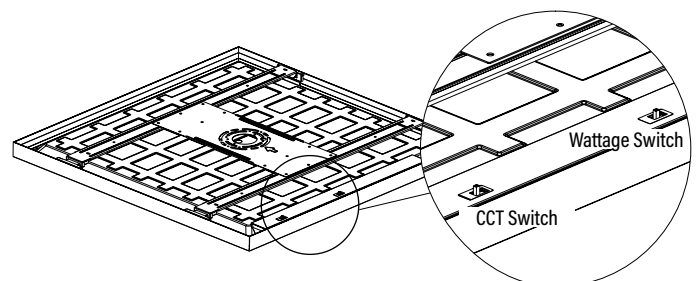
WIRING DIAGRAM



If not connecting to an external 0-10V dimmer circuit, make sure fixture's 0-10V purple and pink leads are capped off separately. Failure to do so may cause fixture to perform incorrectly, and void warranty.

FIELD SELECTABLE WATTAGE & CCT

Users can adjust color temperature and lumen output via two slide switches on the driver. The CCT switch offers 5 settings (3000K, 3500K, 4000K, 5000K and 6500K), and the wattage switch provides 4 output levels.



SPEC-SELECT™ SURFACE MOUNT PANEL - BLSS1

INSTALLATION INSTRUCTIONS

PQL
PREMIUM QUALITY LIGHTING®

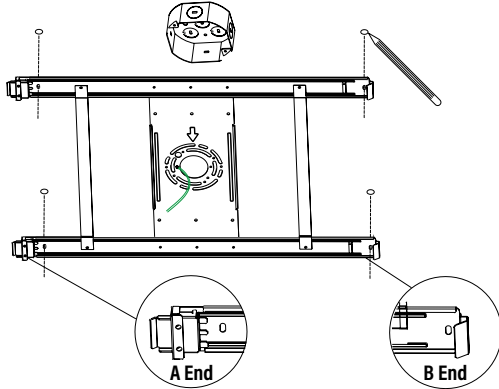
INSTALLATION



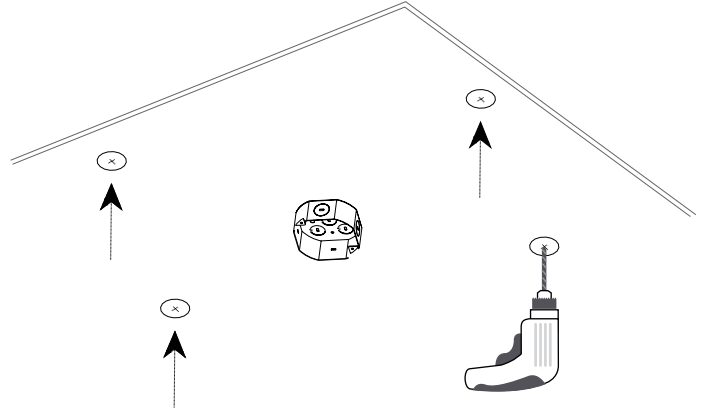
WARNING DISCONNECT POWER BEFORE INSTALLING OR SERVICING.

Disconnect power prior to installation.

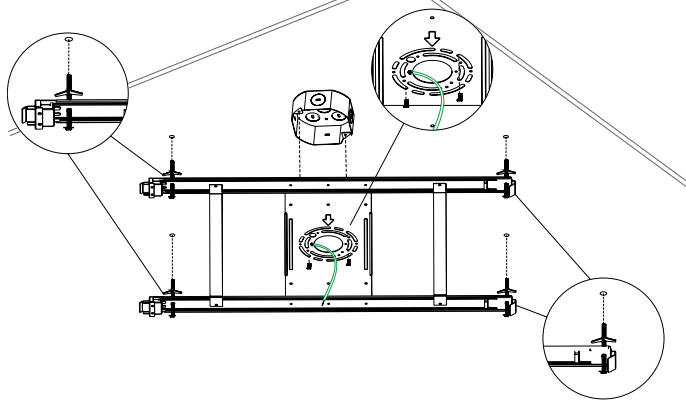
- 1** Position the bracket over the junction box. Then mark the screw hole locations on the mounting surface.



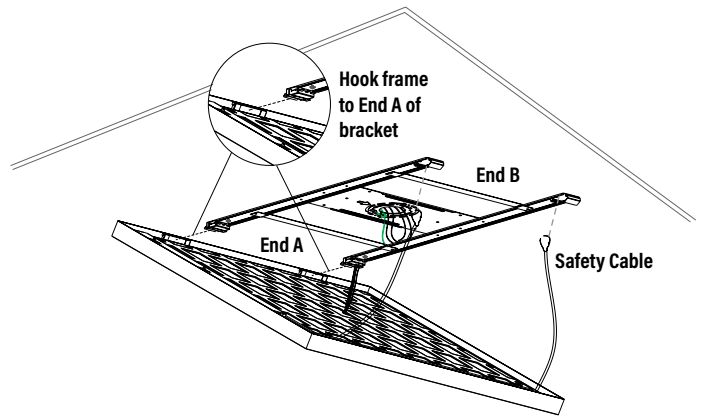
- 2** Drill four mounting holes in the ceiling at the marked locations.



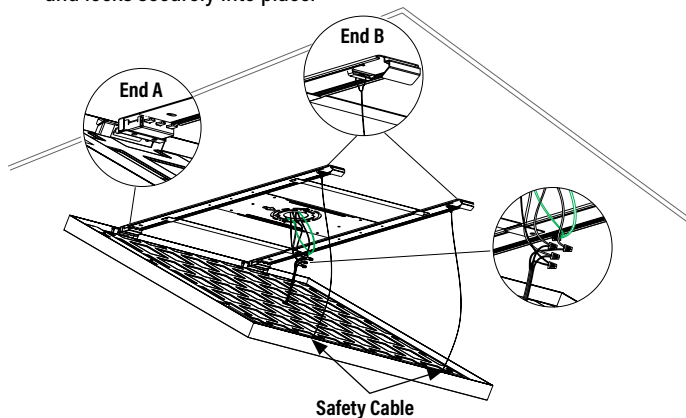
- 3** Feed the AC power supply wires through the center hole of the bracket. Secure the bracket to the junction box using two short screws, then fasten it to the ceiling with the four provided drywall anchors.



- 4** Hook the side of the fixture onto End A of the bracket as shown in the diagram. Attach the safety cables to the bracket, near End B.



- 5** Complete the wiring, then place all wires and wire nuts inside the junction box. Lift the fixture and pull it slightly toward End A of the bracket, allowing it to slide briefly in the opposite direction. Then press the fixture upward at End B while releasing it, so it engages and locks securely into place.



- 6** Clean any stains or fingerprints from the panel surface. Restore power at the circuit breaker and turn on the luminaire to test operation.

