

# CIRCA 2™ - AIRCRAFT CABLE SUSPENDED MOUNT

## INSTALL INSTRUCTIONS



**PLEASE FIND A QUALIFIED ELECTRICIAN FOR INSTALLATION. Please read the instructions before you install and use the luminaire.**

### WARNING, CAUTIONS AND OPERATING INSTRUCTIONS

- Read carefully before installing fixture. Retain for future reference.
- To prevent electrical shock, turn off electricity at breaker panel before proceeding.
- Failure to follow instructions may result in serious injury or death.
- Upon receipt the fixture, thoroughly inspect for any freight damage which should be brought to the attention of the delivery carrier. Compare the catalog description listed on the package slip with the fixture label on the housing to assure you have received the correct material.
- This fixture must be wired on 120-277V AC, in accordance with the National Electrical Code (NEC) and applicable local codes and ordinances. Proper grounding is required to insure personal safety and correct operation. Carefully observe the correct grounding procedure under installation section.

**! WARNING - TURN OFF POWER SUPPLY FROM MAIN CIRCUIT BREAKER BEFORE INSTALLING OR SERVICING.**

Uplight Switchable-14", 18", 24", 35", 47" CIRCA 2™		
Uplight Switchable	On	Off
Lighting Distribution	Indirect/Direct	Only Direct

CCT Selectable-14", 18", 24", 35", 47" CIRCA 2™			
CCT Selectable	3000K	3500K	4000K

Wattage-14", 18", 24", 35", 47" CIRCA 2™					
Size	14"	18"	24"	35"	47"
Wattage	28	50	62	123	132
Output Current Driver 1	700mA	1200mA	1500mA	1400mA	1500mA
Output Current Driver 2	N/A	N/A	N/A	1400mA	1500mA

Note: 35" and 47" CIRCA 2.0 require 2 drivers with the same output current.

### INSTALLATION

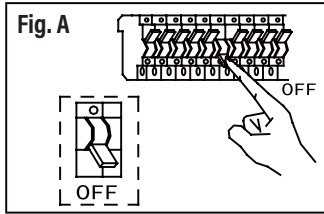
1. Shut off power at the breaker panel to the fixture. (Fig. A)
2. On a flat workbench, screw the three cable grippers (F) into the screw holes (L) on the fixture in advance.
3. Attached the mounting plate bracket (B) to the outlet (A), secure with outlet box screws (C). Use the screws holes (K) and wood screws (D) to secure the mounting plate into the ceiling joists. CAUTIONS: Fixtures must be supported independent of outlet box. Customer is responsible for ensuring appropriate ceiling construction to support the weight of the fixture. For 24", 35", 47", the wood screws (D) must be extra screwed on the load-bearing material through those screws holes (K).
4. Determine the height at which the fixture is to be hung. Adjust the power cord (M) to the desired length.
5. Pass the aircraft cable through the slot (I) in the mounting plate (B) to make it naturally droop, then insert the end of support cable (E) into the cable grippers (F) and adjust the support cable to the desired length. CAUTIONS: Once fixture is adjusted and leveled, trim access cable to no less than 1" outside the gripper.
6. Make appropriate electrical connections using wire nuts.
  - a. Connect the powder feed's live wire (Black) to the live (Hot) outlet box wire.
  - b. Connect the power feed's neutral wire (White) to the Neutral outlet box wire.
  - c. Connect the fixture's ground wire (Green) to the ground outlet box wire. If no ground wire is present in outlet box, connect fixture's ground wire to the mounting plate using the green screw (provided by installer).
  - d. If not connecting to an external 0-10V dimmer circuit, make sure fixture's 0-10V pink (or gray) and purple leads are capped off separately. Failure to so do make cause fixture to perform incorrectly, and void warranty.
  - e. Carefully place connections in outlet box.
7. Install the round canopy (H) to the mounting plate (B) by screwing the threaded bushing (G) into Knurled Nipple (J). Using hexagon wrench tool to slightly tighten the screws on the threaded bushing (G).
8. Restore the power to the fixture.

**Care Instructions:** Use a clean, dry cloth when dusting. To protect the finish, avoid any harsh abrasives or chemicals.

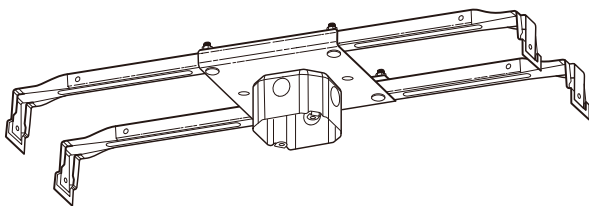
# CIRCA 2™ - AIRCRAFT CABLE SUSPENDED MOUNT

## INSTALL INSTRUCTIONS

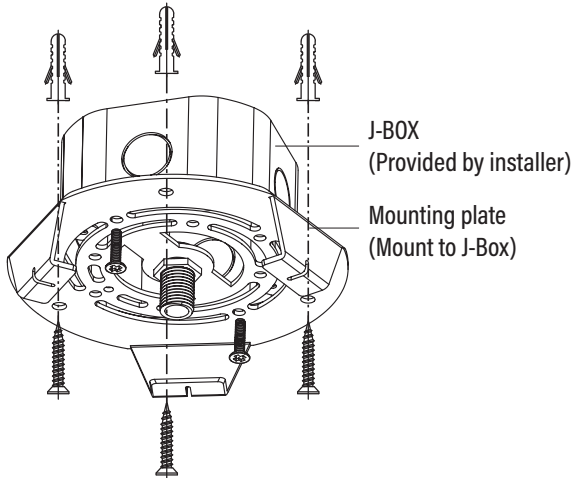
**WARNING** - TURN OFF POWER SUPPLY FROM MAIN CIRCUIT BREAKER BEFORE INSTALLING OR SERVICING.



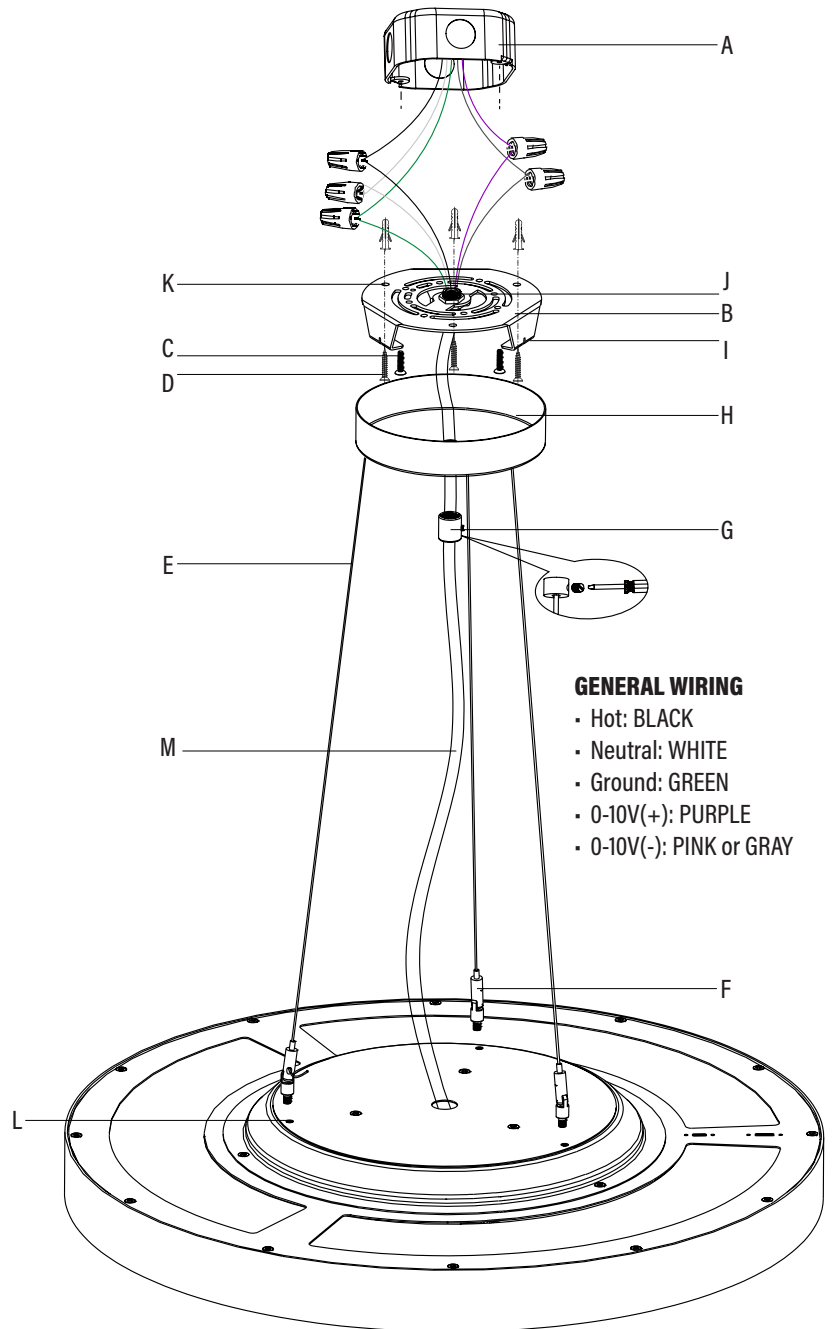
Mount canopy body to ceiling.



FOR T-BAR USE: Caddy Fan-Fixture Mount  
(Provided by installer)



KA4\*30mm Screw must be fixed on the mounting plate for 35", 47" fixture.  
OPTIONAL: Mount to structural members on fixtures over 50lbs. (Provided by installer)



**GENERAL WIRING**

- Hot: BLACK
- Neutral: WHITE
- Ground: GREEN
- 0-10V(+): PURPLE
- 0-10V(-): PINK or GRAY

**WARNING:** Ground fixture in accordance with local and national electrical codes. Failure to do so may result in serious personal injury.