

# VEGA™ FORMS

## CUBE

### Ambient Linear LED

Client: \_\_\_\_\_ Order #: \_\_\_\_\_  
 Project Name: \_\_\_\_\_ Type: \_\_\_\_\_ Qty: \_\_\_\_\_

#### Performance Data

##### CRI

95 min with R9 of 69 or better

##### CCT

2700K, 3000K, 3500K, 4000K,  
5 Channel Color Tuning

##### Projected Lifetime

240,000 Hours (L80);  
110,000 Hours (L90)

##### Dimming

0-10V dimming standard

##### Operating Temperature

-30°C to +55°C (-22°F to +131°F)

##### Location

Approved for dry and damp locations



#### Description

The redesigned Cube Pendant luminaire, part of the Vega™ Form series, is an indoor architectural LED fixture featuring a 2 7/8" wide by 5" tall overall profile. The Cube merges a sleek, minimalist design with high performance functionality to deliver a unique luminaire that complements the aesthetics of any interior space all while providing high efficacy, glare-free illumination for the space's inhabitants. The Cube Pendant is available in standard lengths of 2', 3', and 4' with direct or direct/indirect light output.

#### Features

- Up to 1200 lm/ft direct, 1,400 lm/ft indirect at 4000K
- Independently-adjustable direct and indirect lumen outputs
- Profile Dimensions: 2.44" wide x 5" high
- Housing: Extruded Aluminum with powder coat finish
- Direct Lens: Extruded Satin Acrylic
- Indirect Lens: Extruded clear Acrylic
- Light Engine: Aluminum core LED board mounted to a white extruded chassis with integral driver & quick electrical disconnects for rapid tool-less servicing

#### Ordering Options **Contact sales representative to order.**

FIXTURE SERIES	OUTPUT UP*	VOLTAGE	OPTIONS
CU2P Cube 2 Pendant	L 7.5W/ft	U 120-277V	DC Dual Circuit for Up/Down*
DISTRIBUTION	M 10W/ft	MOUNTING STYLE	E Emergency Battery Backup
I Direct/Indirect	H 15W/ft	C Cable in Corner	T Daylight Sensor
D Direct	CCT DOWN	CABLE LENGTH	U Occupancy Sensor
LENGTH	27 2700K	A 24" Cable	V Daylight/Occupancy Sensor
2 2'	30 3000K	B 48" Cable	VW0 Lutron Vive System Enabled Fixture (External RF only) Standard 0-10V X% Driver (also available with FCJS-ECO module for ES1, ES5 options) <sup>5</sup>
3 3'	35 3500K	D 60" Cable	VWS0 Lutron Vive System Enabled Fixture (External RF w/Occ & Daylight Sensor) Standard 0-10V X% Driver (also available with FCJS-ECO module for ES1, ES5 options)
4 4'	40 4000K	F 72" Cable	ES1 Lutron LDE1 Series EcoSystem 1% Dimming with Soft On Fade to Black
WIDTH	5W 5 Channel Color Tuning <sup>1</sup>	G 96" Cable	ES5 Lutron LDE5 Series EcoSystem 5% Dimming
2 2'	CCT UP*	FINISH <sup>4</sup>	
3 3'	27 2700K	W Textured White	
4 4'	30 3000K	S Textured Silver	
OUTPUT DOWN	35 3500K	B Textured Black	
L 7.5W/ft	40 4000K	## Specialized Colors <sup>2,3</sup>	
M 10W/ft	5W 5 Channel Color Tuning <sup>1</sup>	C Textured Custom Color	
H 15W/ft			

\*Only available when direct/indirect distribution is selected

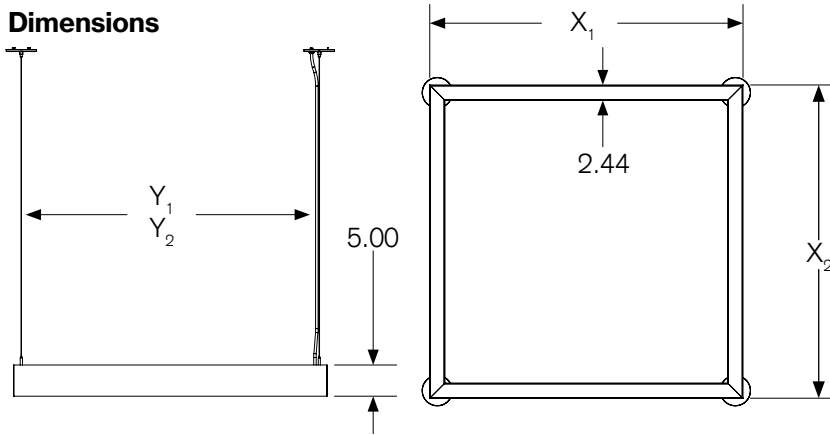
<sup>2</sup> See Page 4 for Ordering Codes on 24 Specialized Finishes. Example "07"

<sup>3</sup> Please Note: All orders under 25 linear feet will require a one-time set up charge. Please consult factory for charge.

<sup>4</sup> All finishes are textured unless specified otherwise by the customer

<sup>5</sup> VW0 option shipped separately from fixture

### Dimensions



### Mounting

	Y <sub>1</sub>	Y <sub>2</sub>		X <sub>1</sub>	X <sub>2</sub>
2x2	23.50"	23.50"	2x2	26.20"	26.20"
2x3	23.50"	35.50"	2x3	26.20"	38.20"
2x4	23.50"	47.50"	2x4	26.20"	50.20"
3x3	35.50"	35.50"	3x3	38.20"	38.20"
3x4	35.50"	47.50"	3x4	38.20"	50.20"
4x4	47.50"	47.50"	4x4	50.20"	50.20"

### Lutron Options

VW0 Lutron Vive System Enabled Fixture(External RF only) Standard 0-10V X% Driver

VWS0 Lutron Vive Wireless Fixture (External RF w/Occ & Daylight Sensor) Standard DALI X% Driver

ES1 EcoSystem digital control, Hi-lume 1% EcoSystem LED driver with Soft-on, Fade-to- Black. Ideal for conference rooms, restaurants, lobbies, ballrooms, and lecture halls. Benefits include: All benefits of the ES5 series plus beautiful, smooth flicker-free dimming down to 1% and a Soft-on, Fade-to- Black™ feature, which provides an incandescent-like experience when transitioning from off to 1% and vice versa.

ES5 ES5 - EcoSystem digital control, 5-Series EcoSystem LED driver. Flicker-free dimming from 100% to 5%.

#### [Lutron Vive Lighting Control System \(applies to VW0 and VWS0 options\)](#)

Lutron Vive is a revolutionary wireless lighting control solution for new and existing commercial buildings, combining a variety of lighting control strategies with controls and sensors to maximize efficiency and system flexibility. A Lutron Vive lighting control solution can reduce energy consumption by 60% or more by employing the following strategies:

- Occupancy/vacancy sensing turns lights on when occupants are in a space and off when they vacate the space.
- Daylight harvesting dims electric lights when daylight is available to light the space.
- Scheduling provides pre-programmed changes in light levels based on time of day.
- Demand response automatically reduces lighting loads during peak electricity usage times.
- Plug load control automatically turns off loads after occupants leave a space.
- Personal dimming control gives occupants the ability to adjust the light level.
- HVAC integration controls heating, ventilation, and air conditioning systems through contact closure, or BACnet protocol.
- System Optimization Service from Lutron identifies important lighting control adjustments to save additional energy and create a more productive work environment on an ongoing basis.
- High-end trim sets the maximum light level based on customer requirements in each space.

### Specialized Colors

	01	RAL #7035
	02	RAL #7038
	03	RAL #9005
	04	RAL #9010
	05	RAL #9003
	06	RAL #9001
	07	RAL #7044

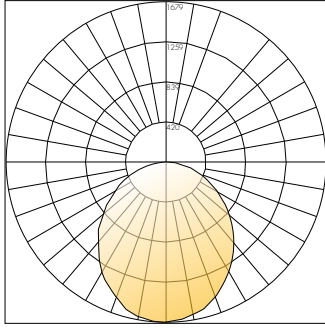
	08	RAL #8025
	09	RAL #6011
	10	RAL #8028
	11	RAL #8017
	12	RAL #7004
	13	RAL #7016
	14	RAL #7031
	15	RAL #7039

	16	RAL #4006
	17	RAL #2004
	18	RAL #4010
	19	RAL #3027
	20	RAL #6027
	21	RAL #5015
	22	RAL #6019
	23	RAL #1018
	24	RAL #7024

Please Note: All orders under 25 linear feet will require a one-time set up charge. Please consult factory for charge.

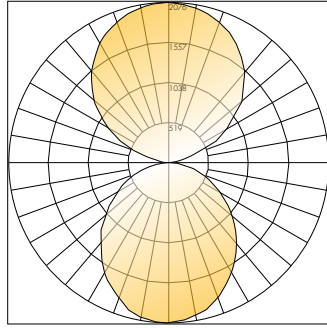
**Photometrics**

Polar Graph - 4' High Output 4000K



Delivered Lumens: 18560  
CRI: 97

Polar Graph - 4' High Direct / High Indirect 4000K



Delivered Lumens: 41600 (18560 Direct / 23040 Indirect)  
CRI: 97

**Direct (Down) Lumen Chart:**

OUTPUT SELECTION	LOW	MEDIUM	HIGH
NOMINAL WATTAGE	7.5W/ft	10W/ft	15W/ft
LUMENS PER FOOT	570	855	1160
<b>2' CUBE</b>			
System Wattage	48.00	72.00	96.00
Lumen Output	4560	6800	9280
<b>3' CUBE</b>			
System Wattage	72.00	108.00	144.00
Lumen Output	6840	10200	13920
<b>4' CUBE</b>			
System Wattage	96.00	144.00	196.00
Lumen Output	9120	13600	18560

**Indirect (Up) Lumen Chart:**

OUTPUT SELECTION	LOW	MEDIUM	HIGH
NOMINAL WATTAGE	7.5W/ft	10W/ft	15W/ft
LUMENS PER FOOT	720	1080	1440
<b>2' CUBE</b>			
System Wattage	48.00	72.00	96.00
Lumen Output	5760	8640	11520
<b>3' CUBE</b>			
System Wattage	72.00	108.00	144.00
Lumen Output	8640	12960	17280
<b>4' CUBE</b>			
System Wattage	96.00	144.00	196.00
Lumen Output	11520	17280	23040

Lumen values shown are for 4000K models. For other color temperatures, use the below multipliers:  
2700K: 0.85, 3000K: 0.90, 3500K: 0.95

For total system wattage consumption and lumen output, add the direct and indirect lumen and wattage data based on output settings desired.

**Mounting Codes:**

CA	24" Cable
CB	48" Cable
CD	60" Cable
CF	72" Cable
CG	96" Cable
CH	120" Cable
CJ	150" Cable
CK	180" Cable
CL	240" Cable

**Mounting and Power Details**

