

LED CANOPY LIGHTS

INSTALL INSTRUCTIONS



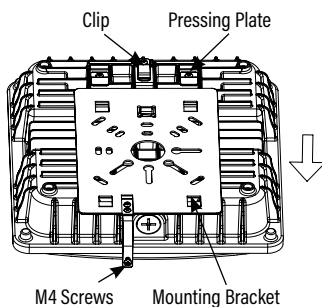
PLEASE FIND A QUALIFIED ELECTRICIAN FOR INSTALLATION. Please read the instructions before you install and use the luminaire

WARNING

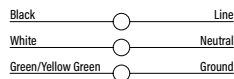
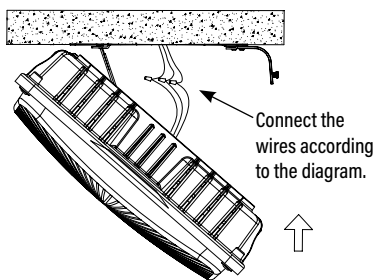
- To prevent personal injury or product damage only licensed electricians should install.
- To avoid electric shock or component damage disconnect power before attempting installation or servicing.
- This product must be installed in accordance with the national electric code (NEC) and all applicable federal, state and local electric codes and safety standards.
- Disconnect product and allow cooling prior to servicing.
- Any alteration or modification of this product is expressly forbidden as it may cause serious personal injury, death, property damage and/or product malfunction.
- To prevent product malfunction and/or electrical shock this product must be properly grounded.
- This luminaire is designed to operate in ambient temperatures ranging from -40°C to 40°C and to be horizontally mounted with the LEDs facing down.
- This product is not suitable for several special environments, such as places with corrosive gas liquids or high pressure water vapor.

! WARNING DISCONNECT POWER BEFORE INSTALLING OR SERVICING.

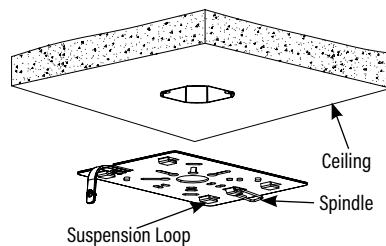
SURFACE MOUNTED WITH J-BOX



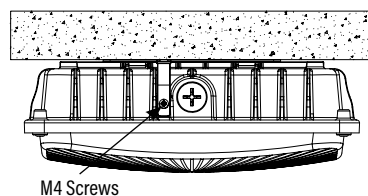
1: Remove the M4 screws on the side used to connect the mounting bracket.



3: Connect the clip on the fixture to the spindle on the mounting bracket to make sure the fixture will not slip and fall. Connect the line voltage to the wires coming out from the fixture following the wiring diagram. Push the pressing plate into the suspension loop on the mounting plate.

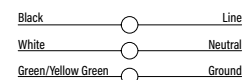
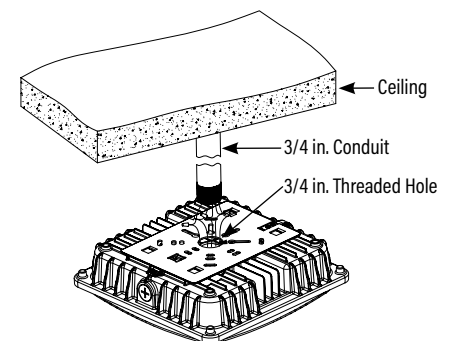


2: Secure the mounting bracket to the ceiling with screws.



4: Replace and tighten the M4 screws removed in step one to complete installation.

PENDENT WITH 3/4 INCH CONDUIT



1: Connect the line voltage to the wires coming out from the fixture following the wiring diagram.

2: Screw the fixture on to the 3/4 inch conduit to complete installation.